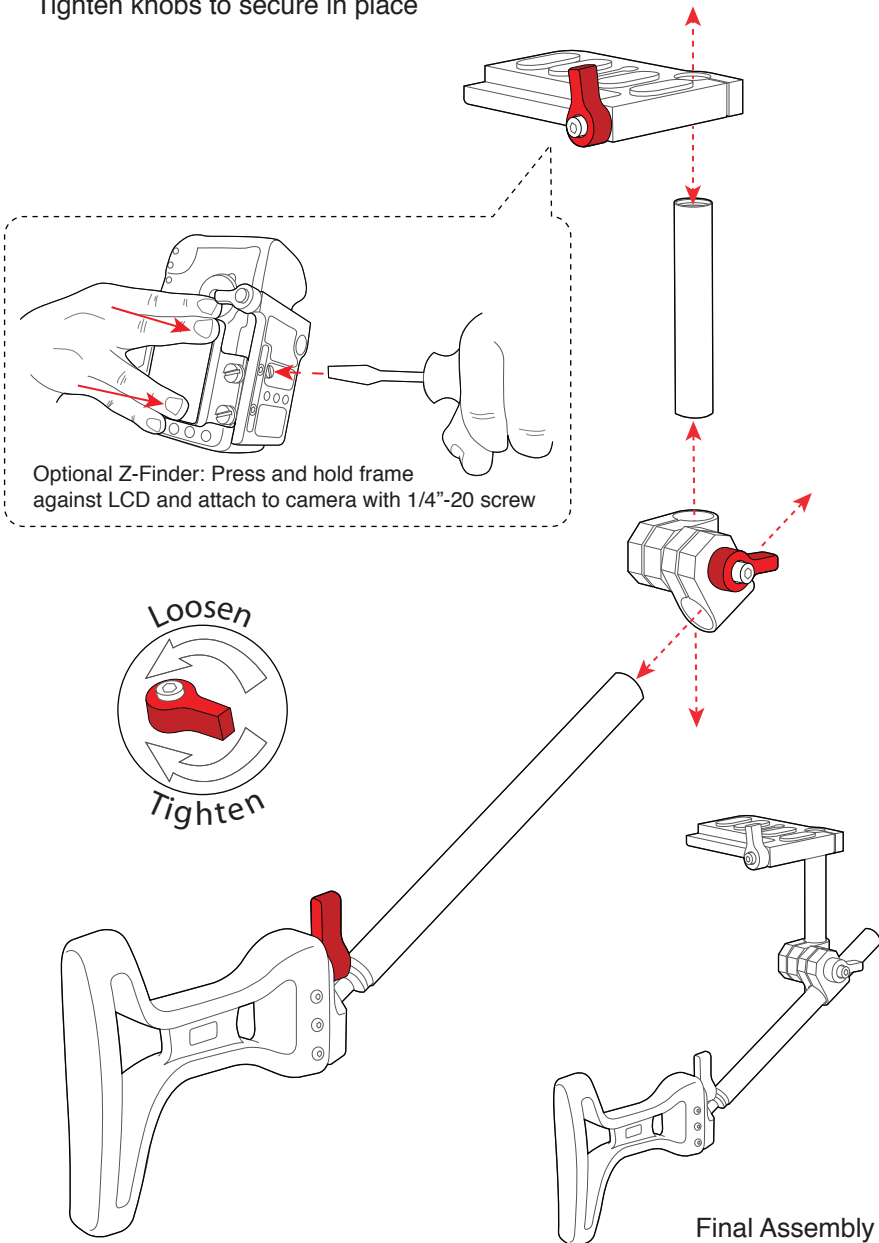


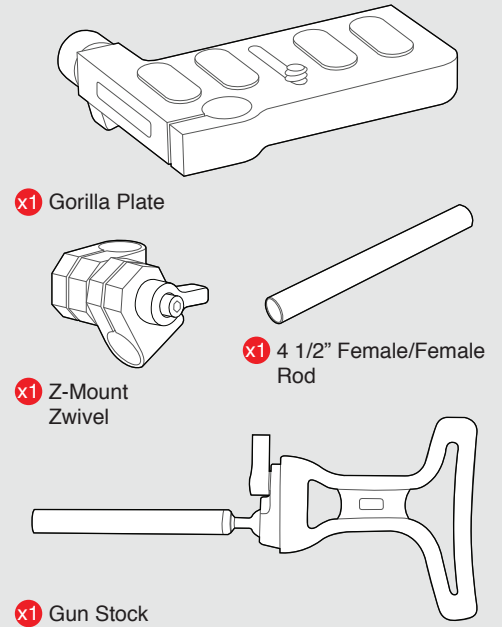


Assembling your Target Shooter

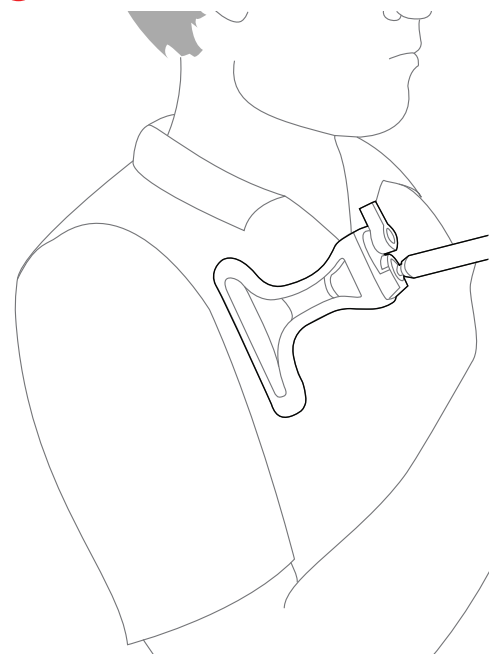
- 1** Orient and slide together components as shown.
Tighten knobs to secure in place



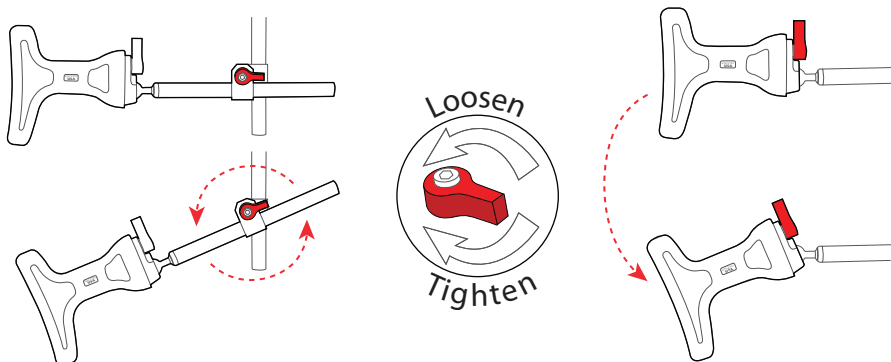
Included Parts:



- 3** Correct Positioning



- 2** Adjust to personal preference



For additional instructions, watch our tutorial video at Zacuto.com

