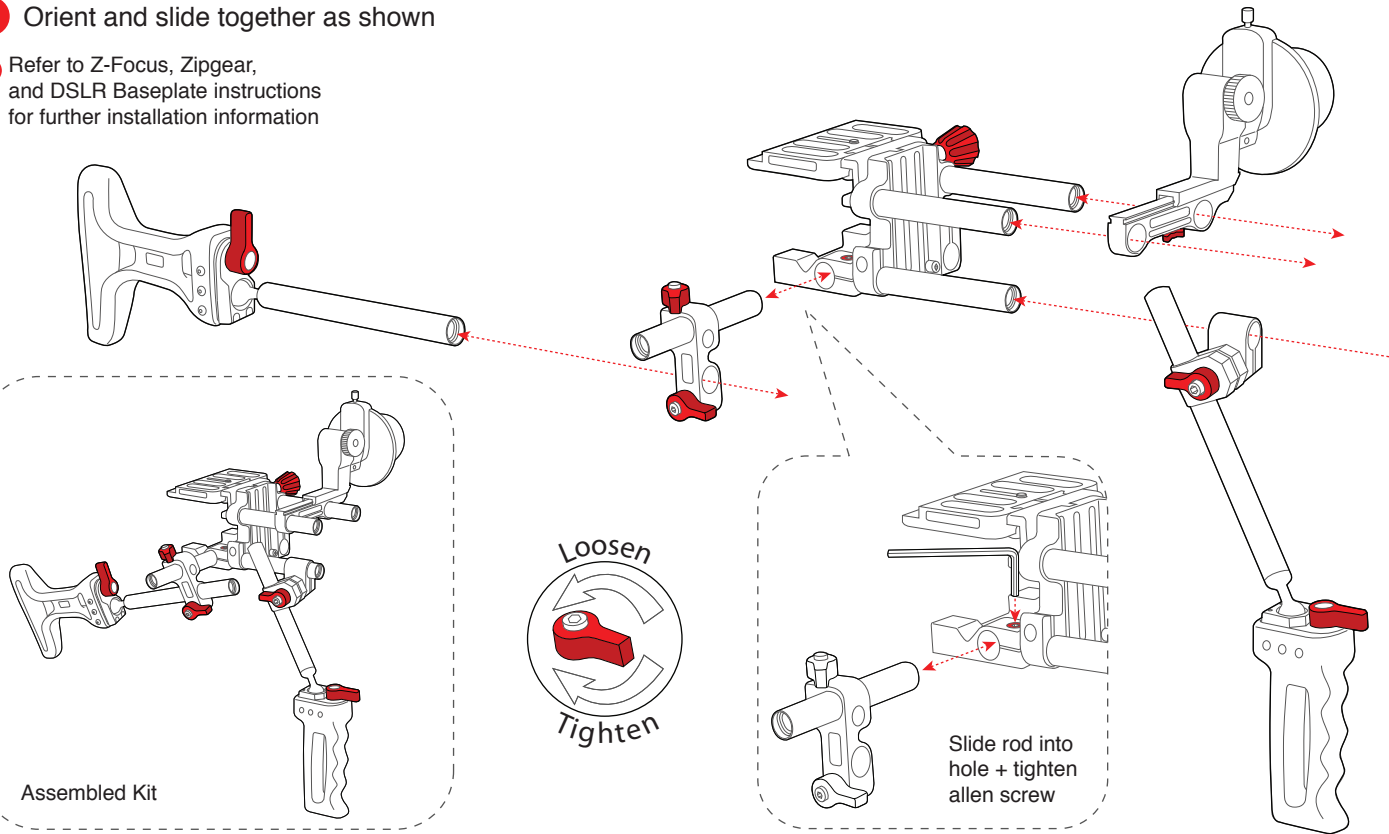




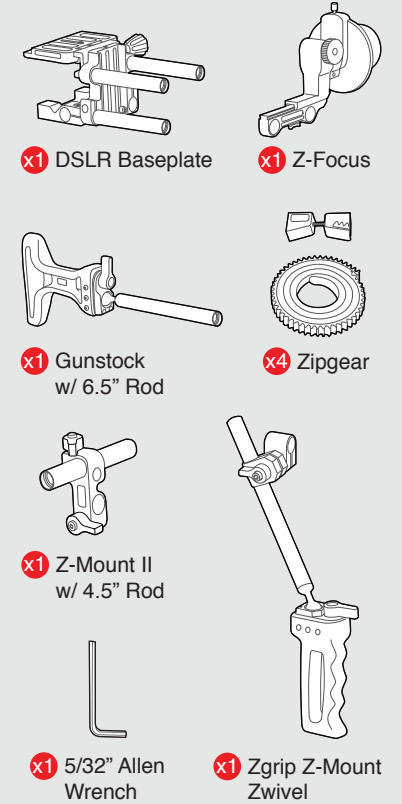
Assembling your Crossfire

1 Orient and slide together as shown

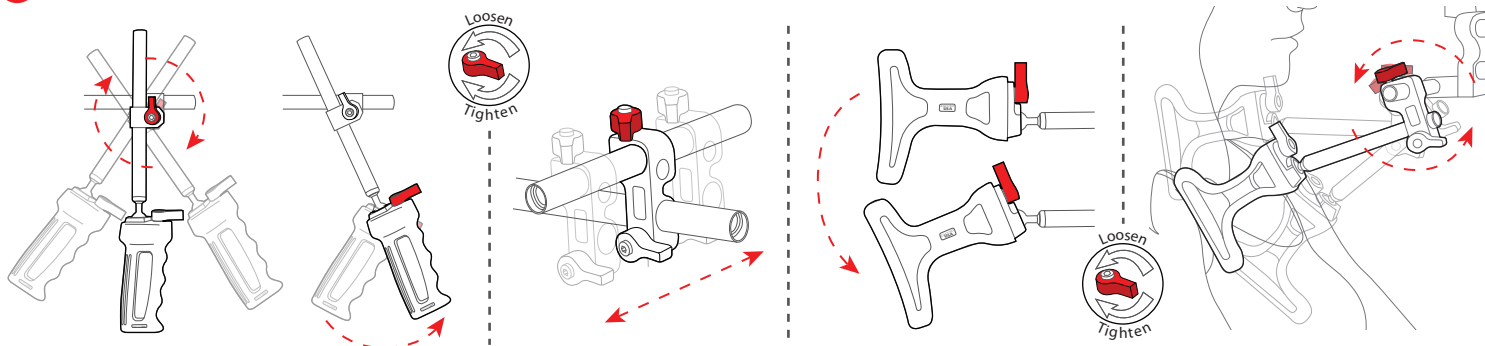
- * Refer to Z-Focus, Zipgear, and DSLR Baseplate instructions for further installation information



Included Parts:



2 Loosen and adjust for personal fit



For more information, watch our tutorial video at Zacuto.com.

