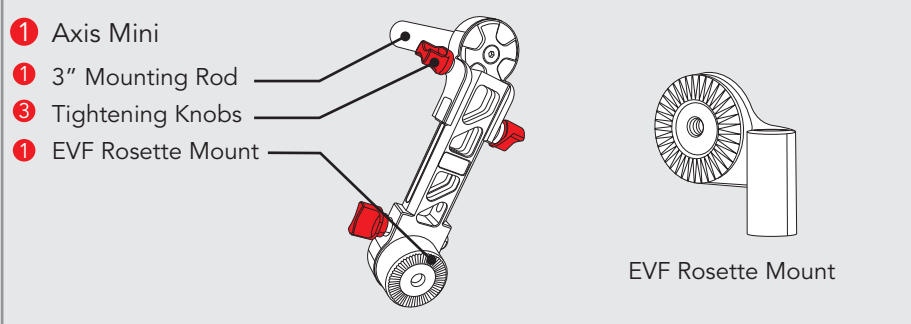
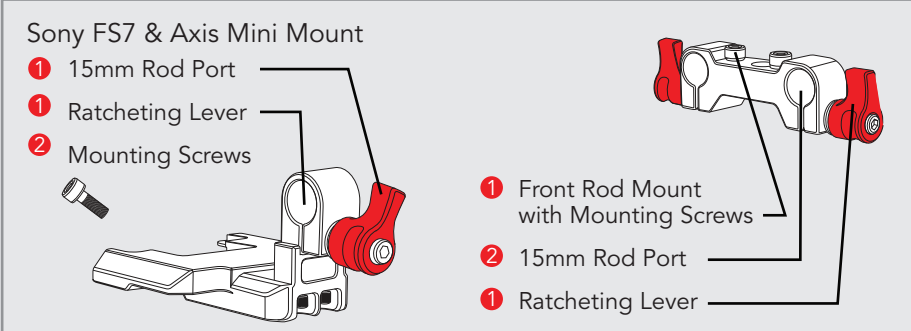
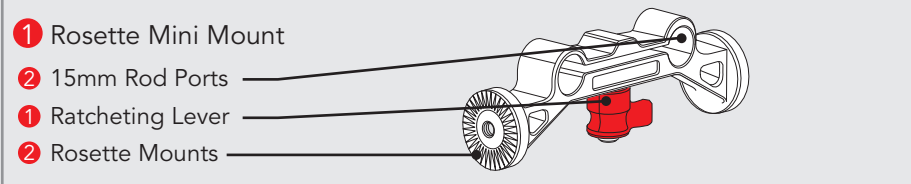
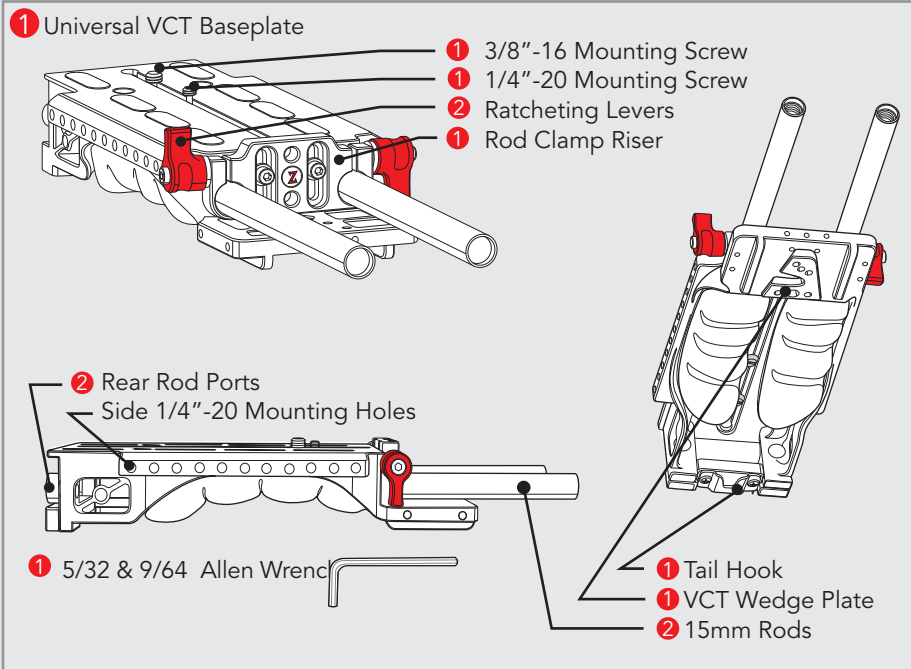




Sony FS7 Recoil Kit

Compatible with the Sony FS7 this Recoil shoulder-mounted rig includes our VCT Universal baseplate, the Rosette Mini-mount for the Sony FS7 handgrip, and our Axis Mini for Sony FS7 which can be used with either the Gratical HD or the Sony monitor. Centered around the Universal VCT Baseplate, this kit allows you to transfer your rig from tripod to shoulder in seconds.

Parts & Features



For additional assembly and individual component features, see numerical figures.

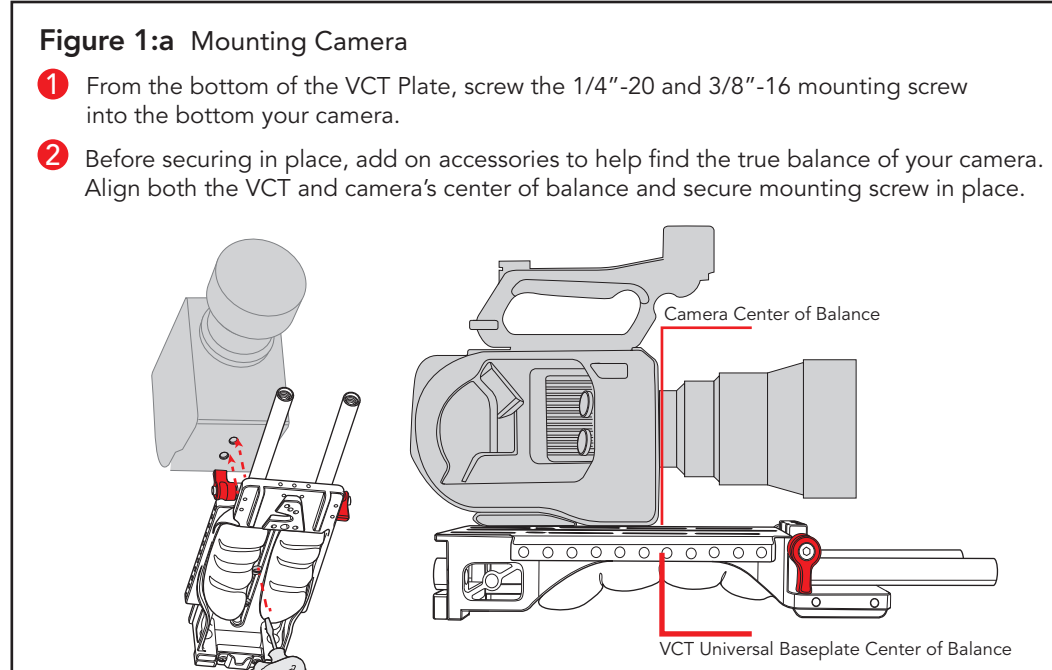
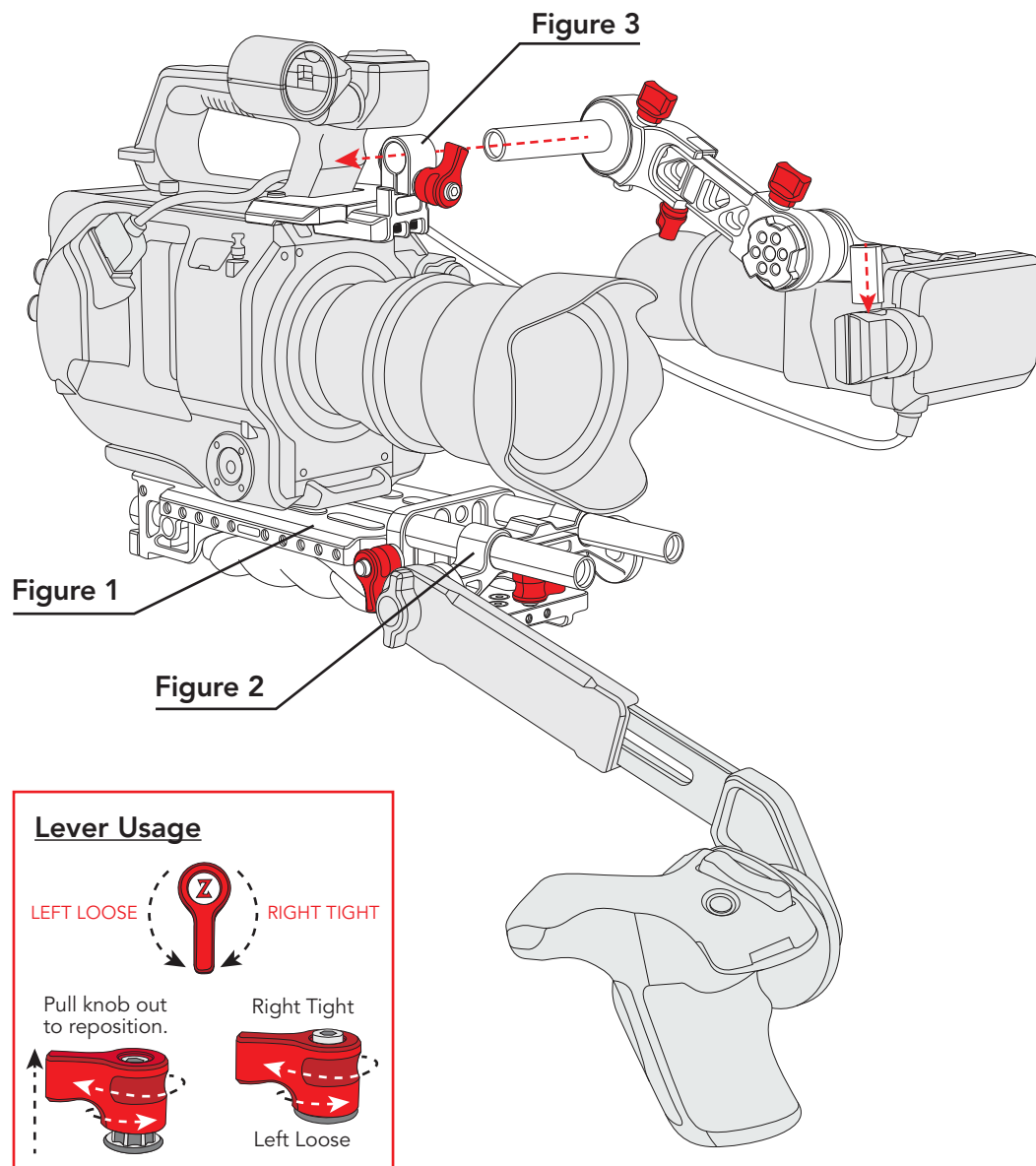


Figure 1:b Adjusting Rods

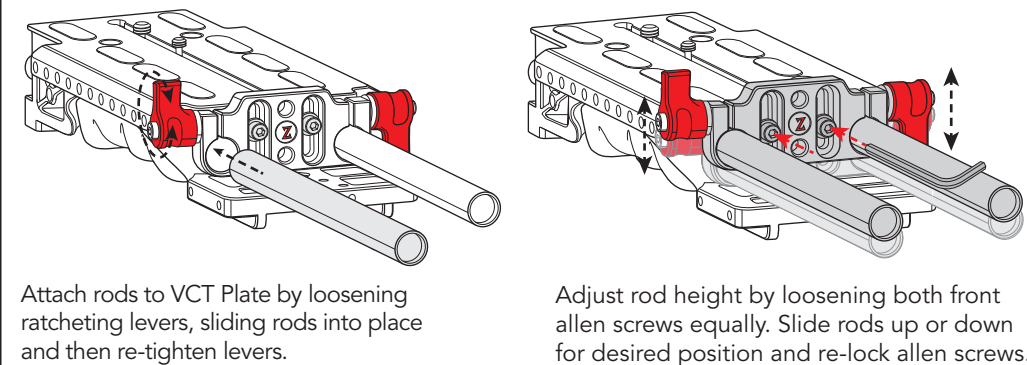


Figure 1:c Mounting VCT Plate to VCT-14 Tripod Quick Release Plate (VCT-14 Sold Separately)

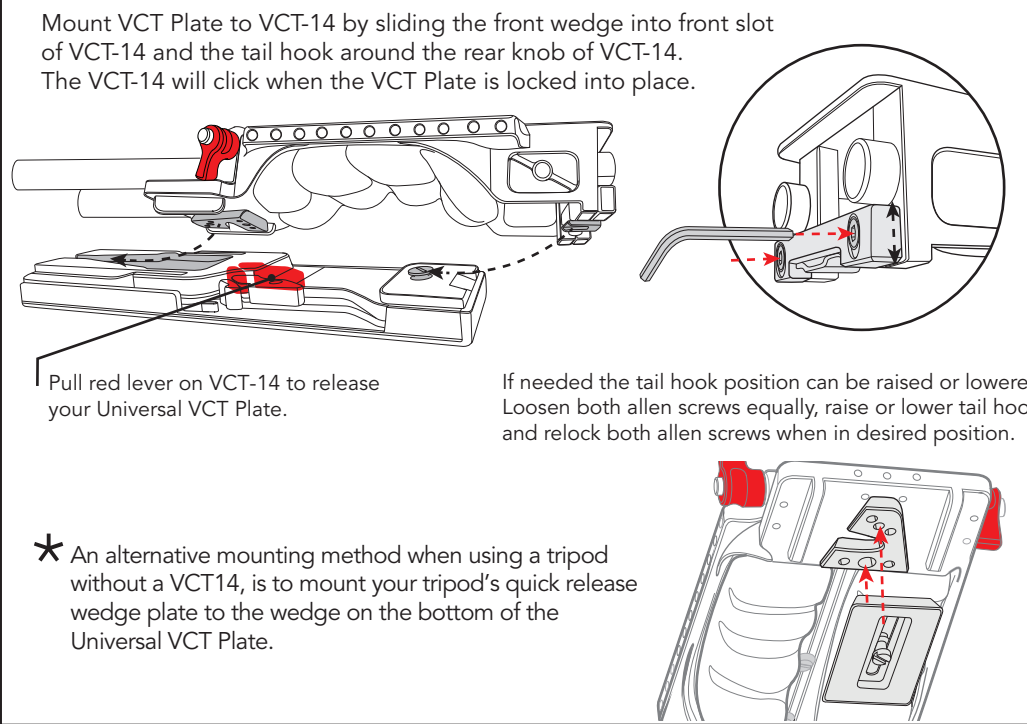


Figure 1:d Adjusting Rods

For Red Epic/Scarlet flip the rod clamp riser.

- 1 Remove both allen screws and separate front jeep with rods from VCT body.
- 2 Flip front rods over from original position.
- 3 Align and remount allen screws to VCT body. Adjust to desired height and re-lock allen screws.

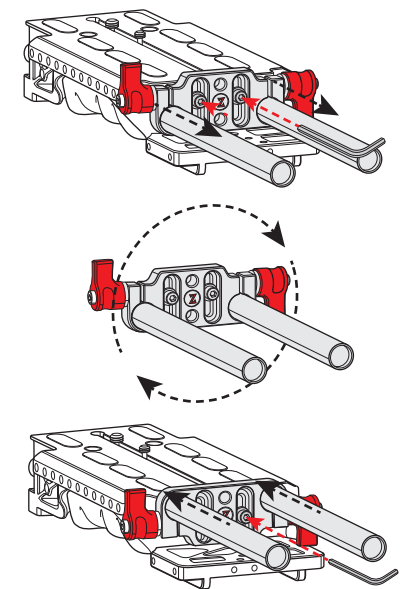


Figure 2:a Mounting Rosette Mini Mount

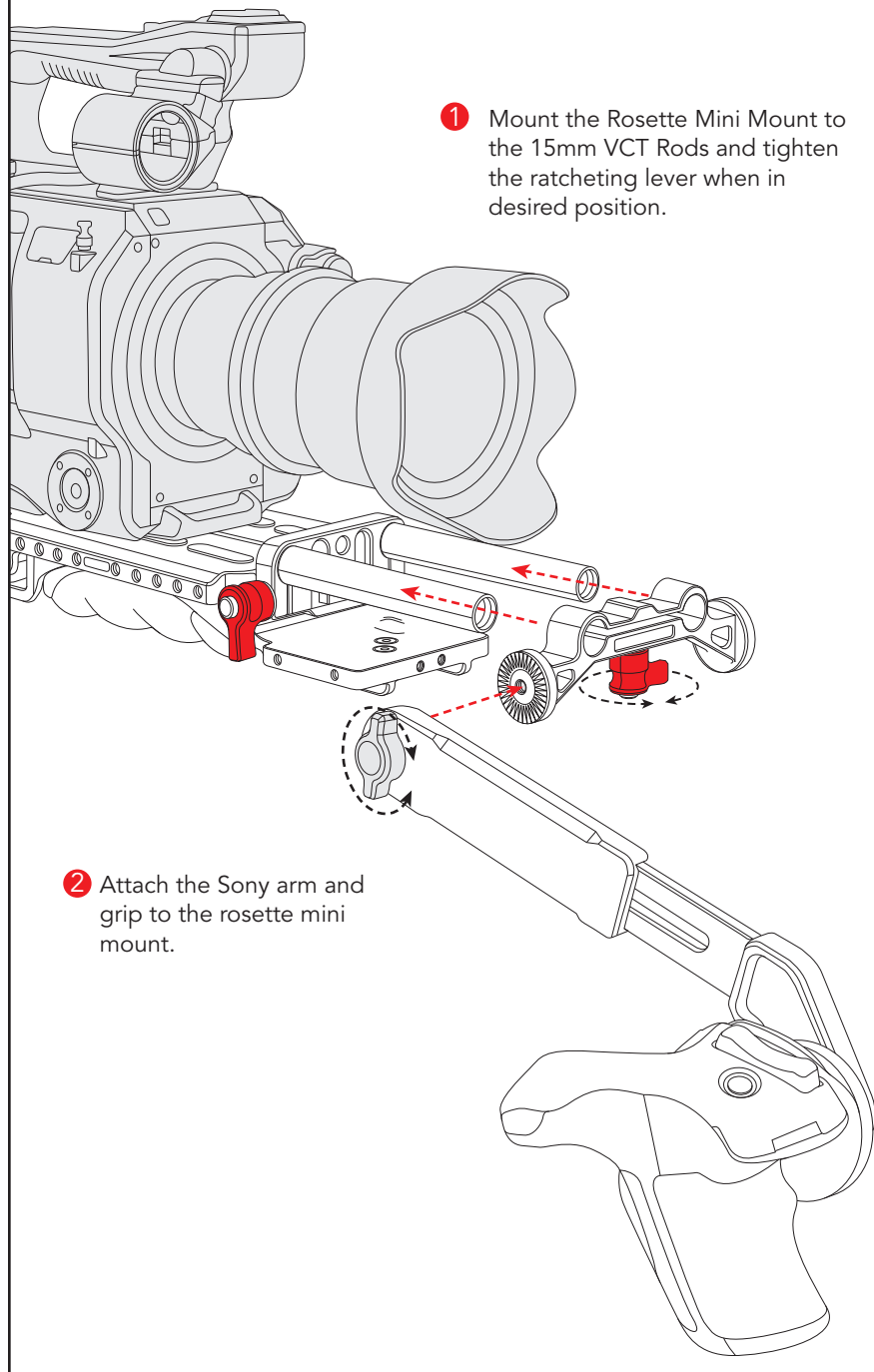


Figure 2:b Mounting VCT Arri M6 Rosette (Sold Separately)

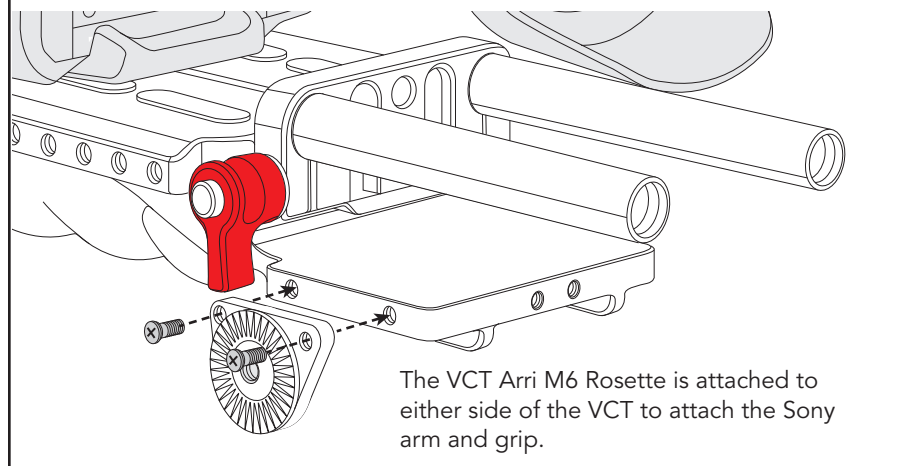


Figure 3:a Mounting FS7 Axis Mini to Camera

- 1 Remove the two front screws from the top of the Camera.
- 2 Mount the Axis Mini Mount to the top of the camera using the two supplied mounting screws.
- 3 When using the front rod mount, the two parts need to be assembled before mounting to camera.
- 4 Mount rods for additional accessories

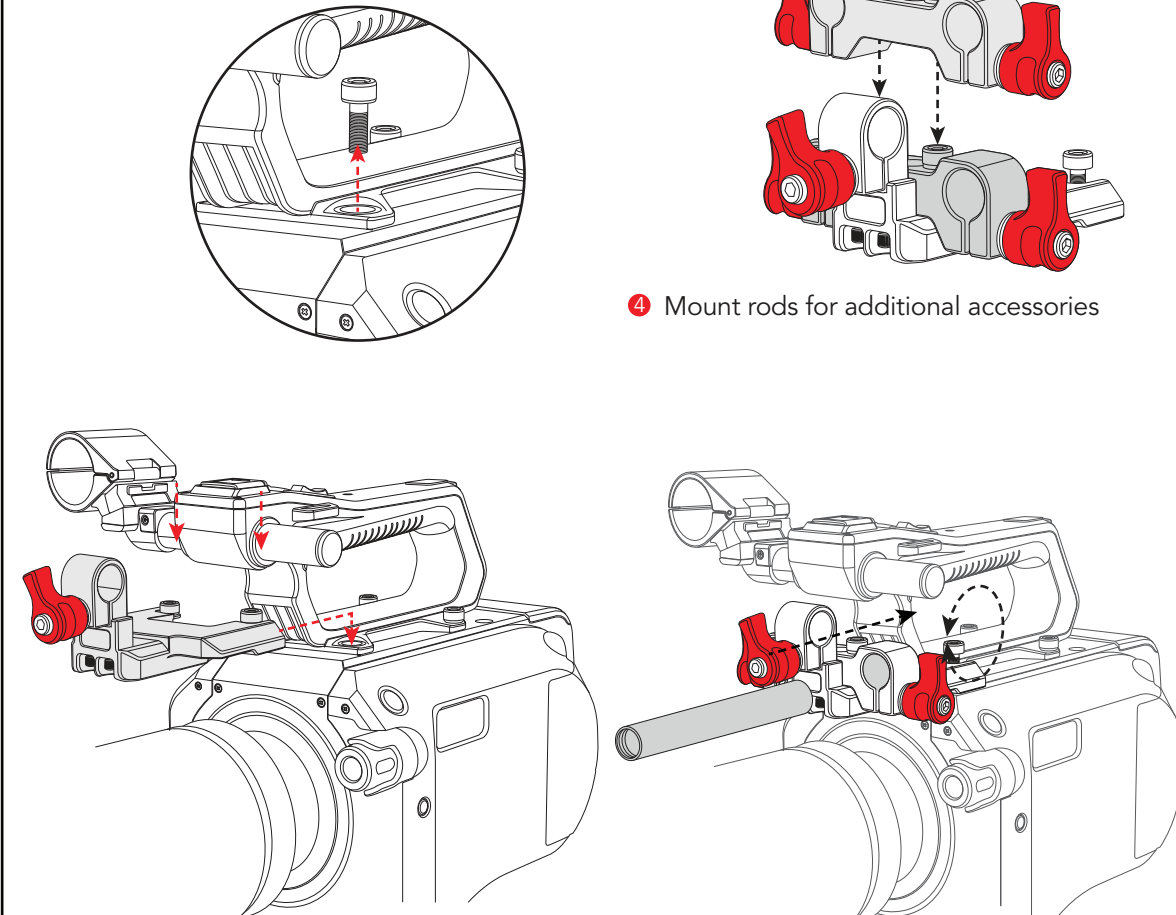


Figure 3:b Operating Axis Mini

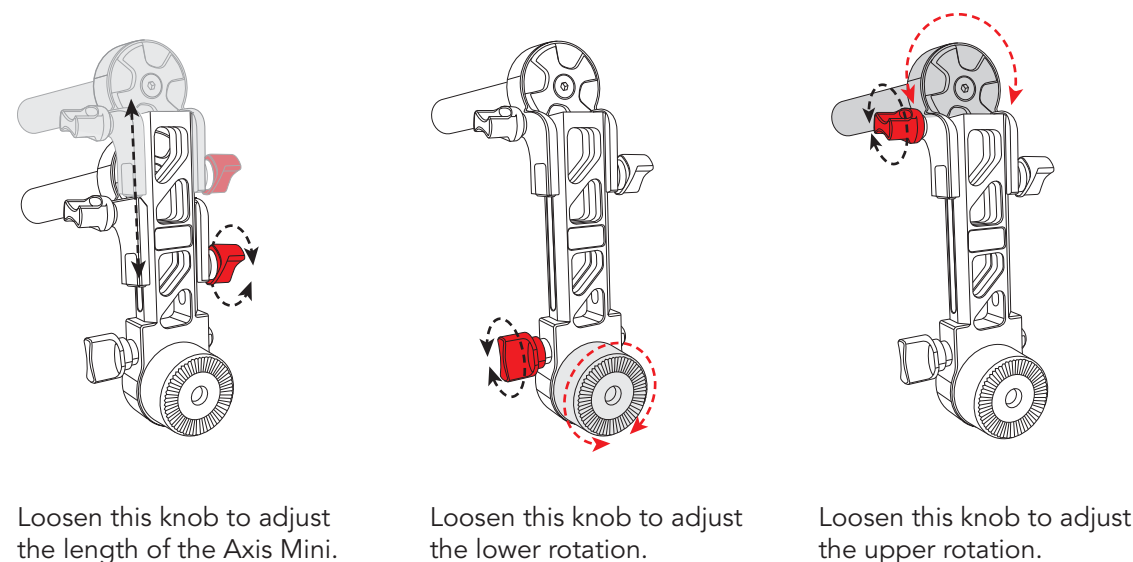


Figure 3:c Operating Axis Mini

- 1 Mount the Axis Mini to the rod port and lock in place with the ratcheting lever.
- 2 Attach the Axis Mini to the rosette
- 3 Mount the Sony FS7 Screen to the rosettes rod.
- 4 Adjust rig to fit comfortably to user's eye.

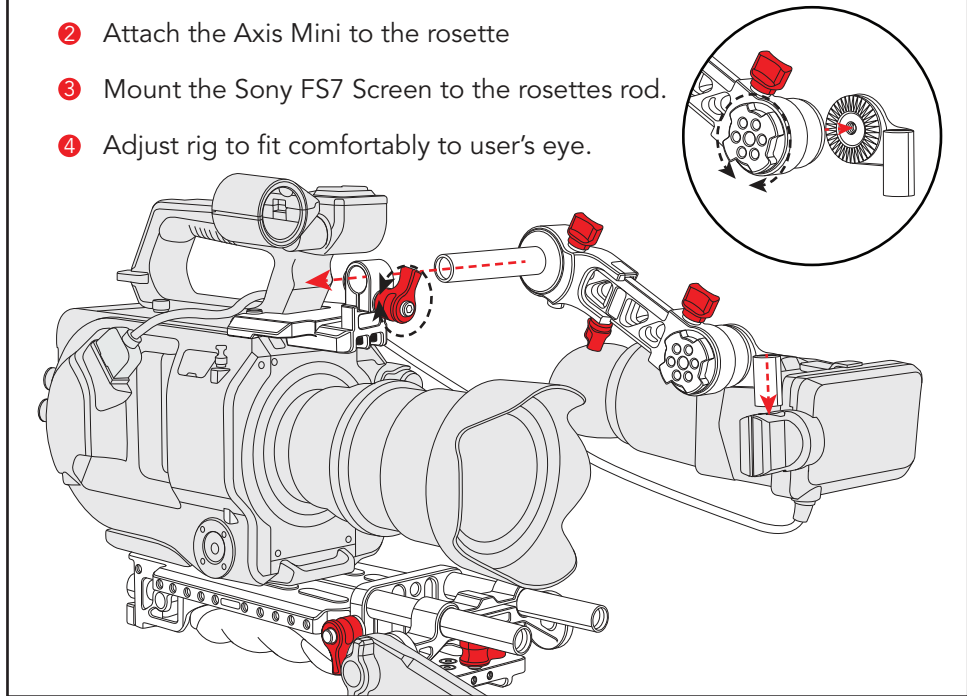
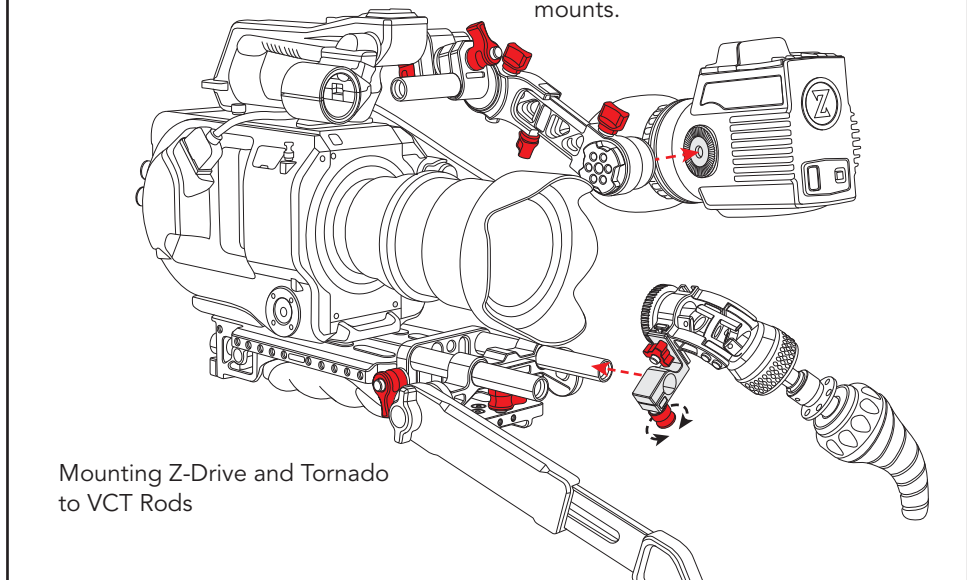


Figure 4:a Additional Accessories (Sold Separately)

A Gratical HD/LT can be attached directly to the Axis Mini using rosette mounts.



See front figure for full correct Assembly
Check out our tutorial videos at zacuto.com
For additional accessories visit store.zacuto.com