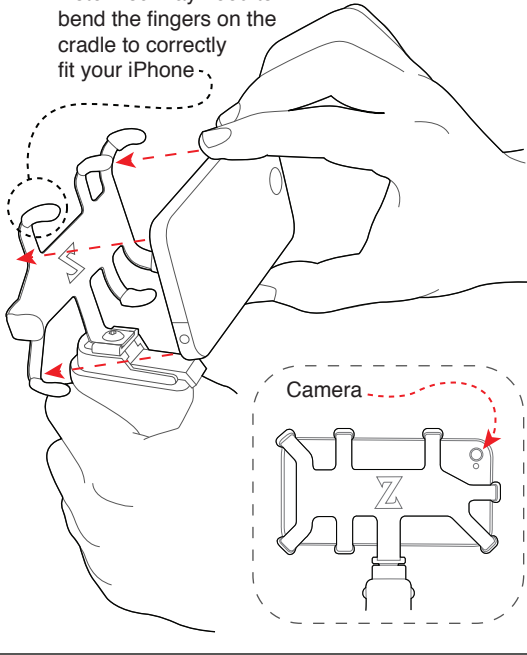




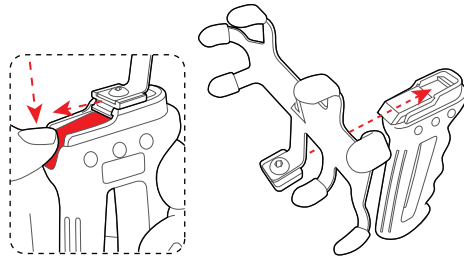
# Operating your iPhone Point'N'Shoot

- 1** Orient the iPhone camera lens with the iPhone cradle and push in firmly

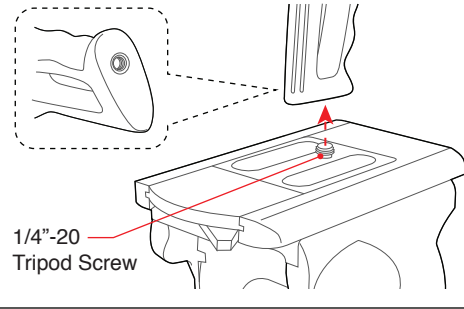
Note: You may need to bend the fingers on the cradle to correctly fit your iPhone



- 2** Push red lever to release cradle



- 3** Attach Zgrip to tripod with 1/4"-20 screw at base of grip



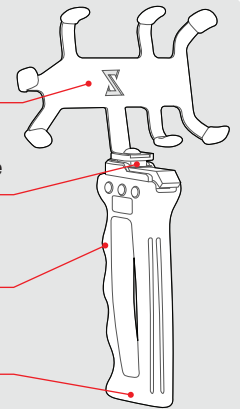
Features:

iPhone Cradle

Quick Release Mount

Ergonomic Handle

1/4"-20 Tripod Mount



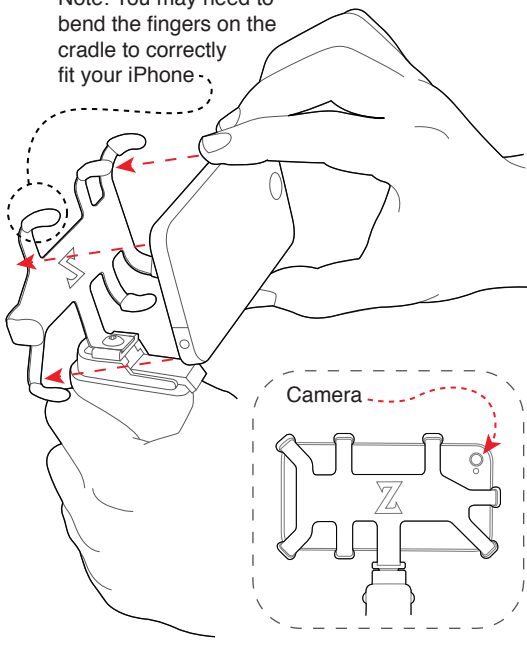
For more information, watch our tutorial video at [Zacuto.com](http://Zacuto.com)



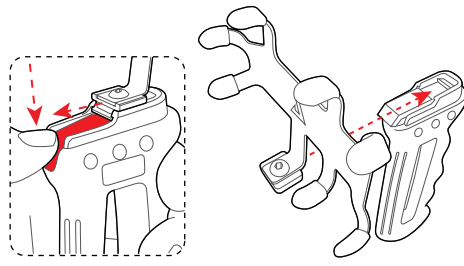
# Operating your iPhone Point'N'Shoot

- 1** Orient the iPhone camera lens with the iPhone cradle and push in firmly

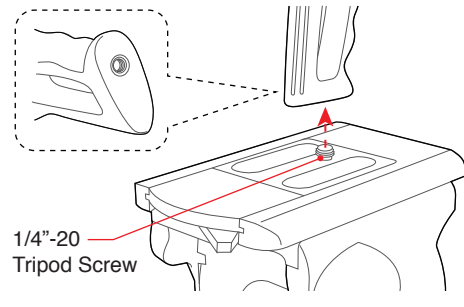
Note: You may need to bend the fingers on the cradle to correctly fit your iPhone



- 2** Push red lever to release cradle



- 3** Attach Zgrip to tripod with 1/4"-20 screw at base of grip



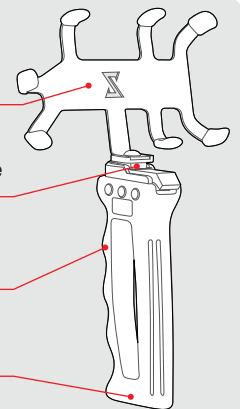
Features:

iPhone Cradle

Quick Release Mount

Ergonomic Handle

1/4"-20 Tripod Mount



For more information, watch our tutorial video at [Zacuto.com](http://Zacuto.com)

