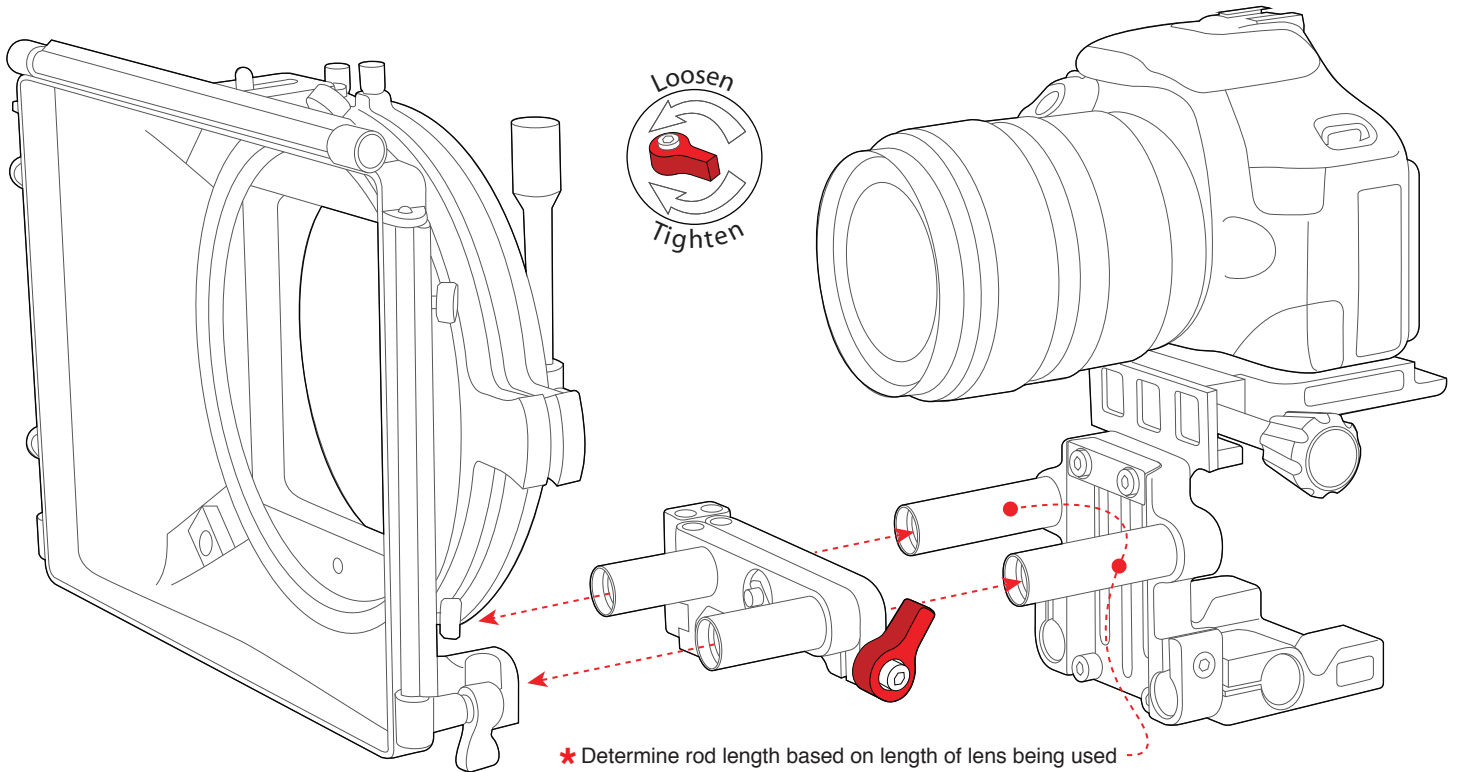




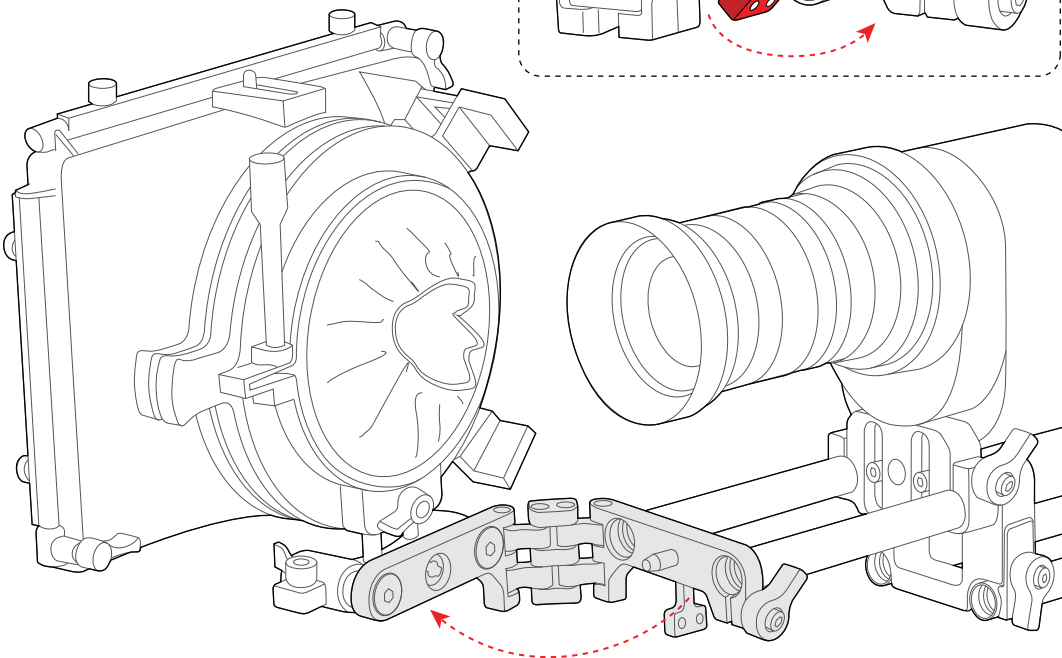
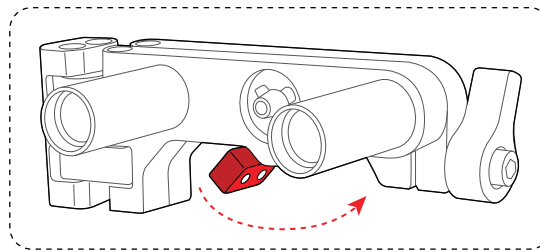
Operating your Zwing-Away

1 Orient and align your Zwing-Away with your rod system and matte box as shown

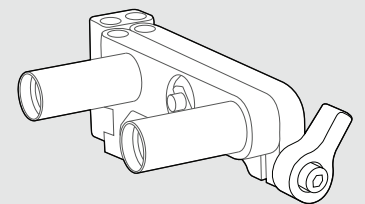


2 Flip lever to swing matte box away from camera

Note: With the matte box swung away, the camera is able to be removed and the lens changed quickly



Included Parts:



x1 Zwing-Away

For more information,
watch our tutorial video
at Zacuto.com

