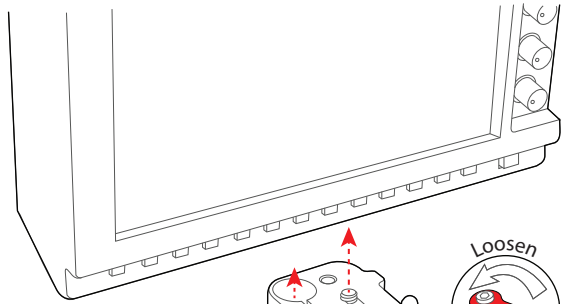


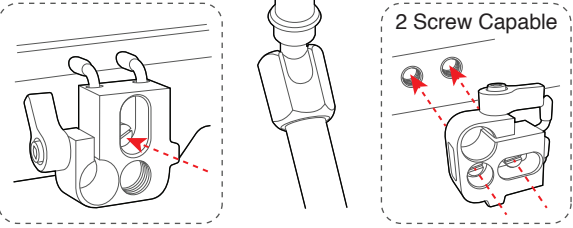


# Operating your Zicromount III

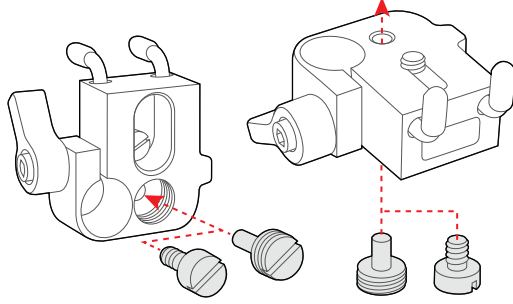
- 1** Attach Zicromount III to monitor with 1/4"-20 screw and tighten lever to secure on rod



Note: Make sure prongs are snug against screen to prevent rotation

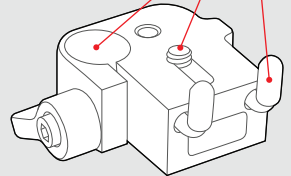


- 2** Optional Locking Pin (For Camera Bottoms) or 1/4"-20 screw



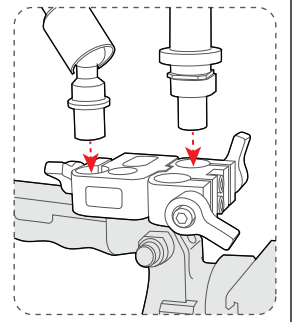
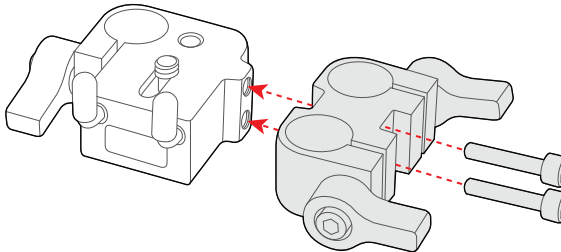
## Included Parts:

- Stabilizer Prongs
- 1/4"-20 Screw
- Rod Mount



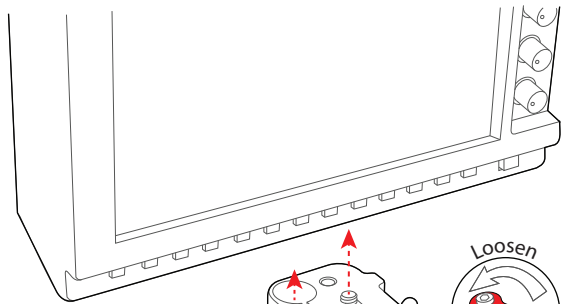
x1 Zicromount III

- 3** Optional Double Z-Release attachment

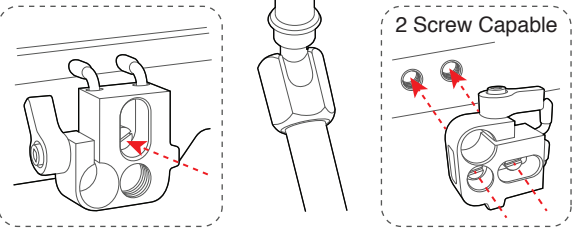


# Operating your Zicromount III

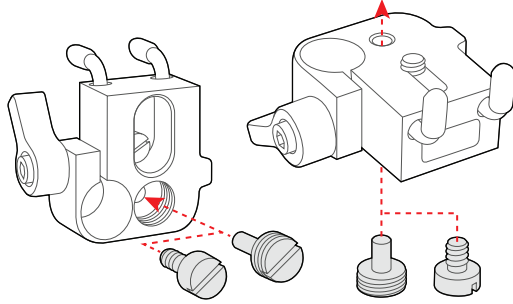
- 1** Attach Zicromount III to monitor with 1/4"-20 screw and tighten lever to secure on rod



Note: Make sure prongs are snug against screen to prevent rotation

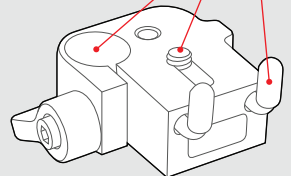


- 2** Optional Locking Pin (For Camera Bottoms) or 1/4"-20 screw



## Included Parts:

- Stabilizer Prongs
- 1/4"-20 Screw
- Rod Mount



x1 Zicromount III

- 3** Optional Double Z-Release attachment

