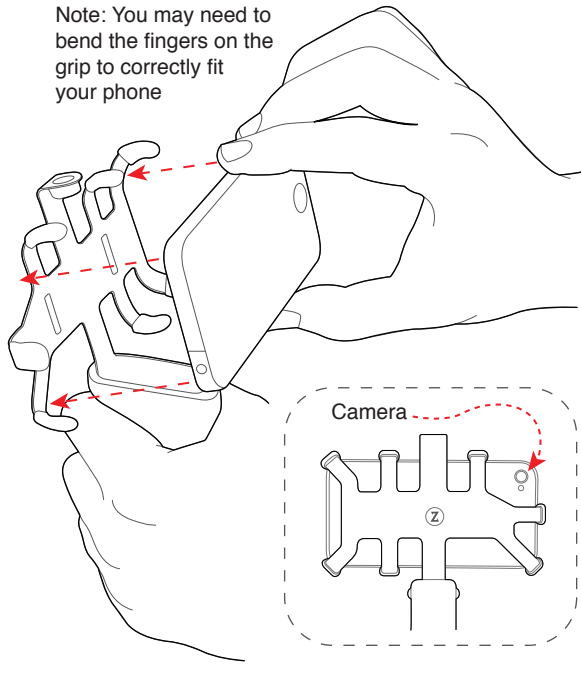




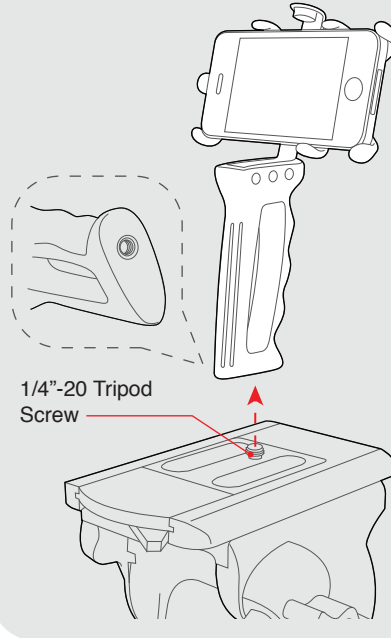
# Operating your Zgrip iPhone Jr

**1** Orient the iPhone camera lens with the iPhone cradle and push firmly

Note: You may need to bend the fingers on the grip to correctly fit your phone



**\*** Alternate mounting method: Attach Zgrip to tripod with 1/4"-20 screw at base of grip



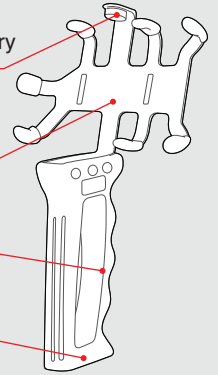
Features:

1/4"-20 Accessory Mount

iPhone Cradle

Ergonomic Handle

1/4"-20 Tripod Mount



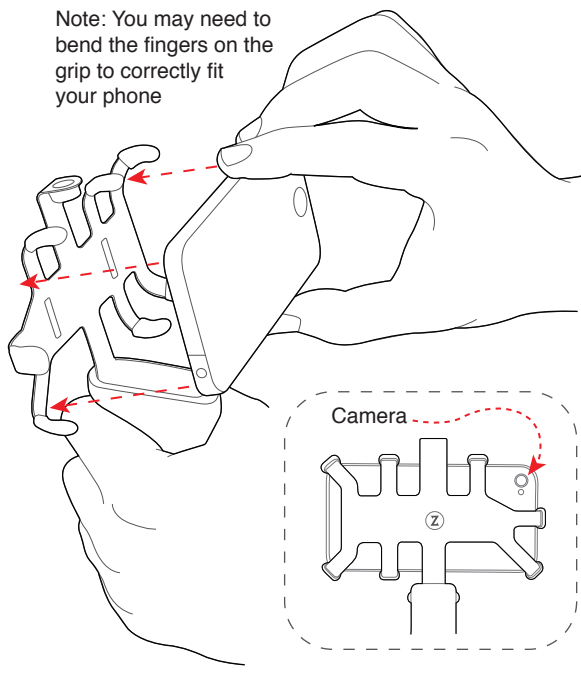
For more information, watch our tutorial video at [Zacuto.com](http://Zacuto.com)



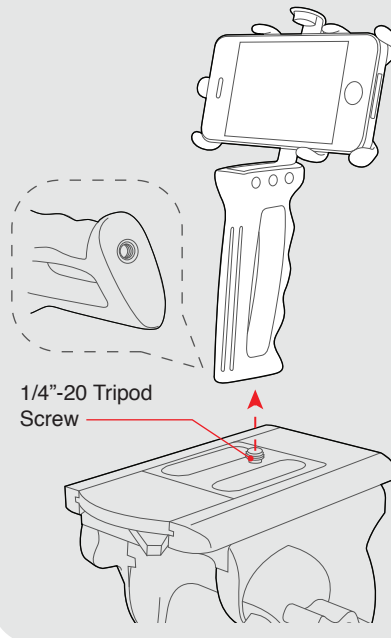
# Operating your Zgrip iPhone Jr

**1** Orient the iPhone camera lens with the iPhone cradle and push firmly

Note: You may need to bend the fingers on the grip to correctly fit your phone



**\*** Alternate mounting method: Attach Zgrip to tripod with 1/4"-20 screw at base of grip



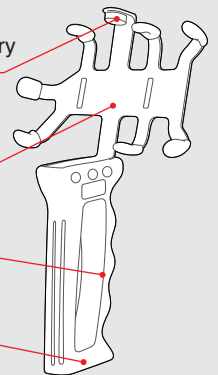
Features:

1/4"-20 Accessory Mount

iPhone Cradle

Ergonomic Handle

1/4"-20 Tripod Mount



For more information, watch our tutorial video at [Zacuto.com](http://Zacuto.com)

