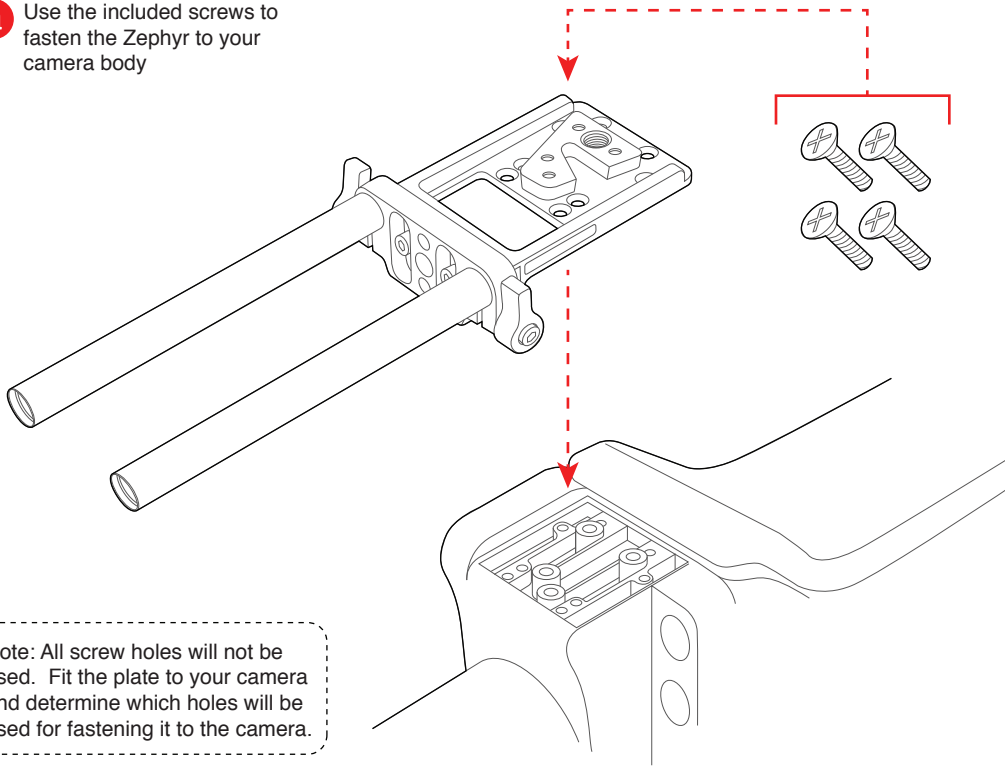




Operating your Zephyr

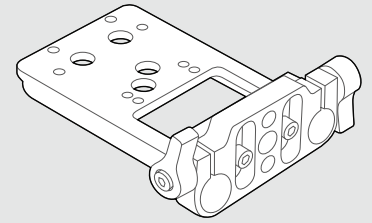
1 Remove the original plate and attach the Zephyr to the bottom of your camera

a Use the included screws to fasten the Zephyr to your camera body

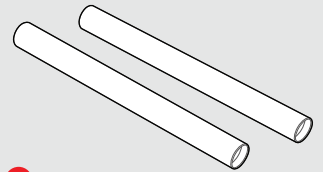


Note: All screw holes will not be used. Fit the plate to your camera and determine which holes will be used for fastening it to the camera.

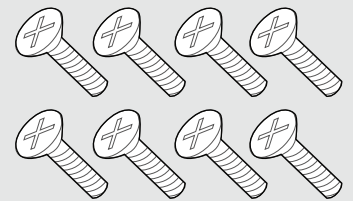
Included Parts:



x1 Zephyr

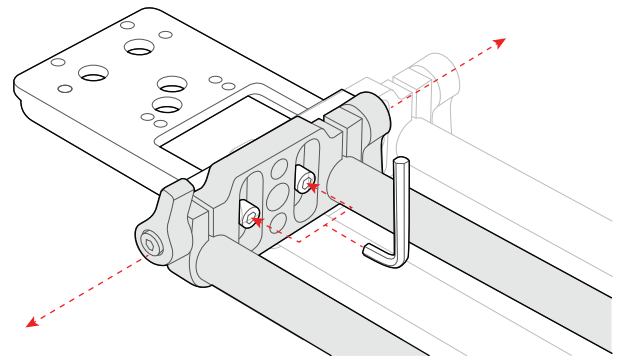
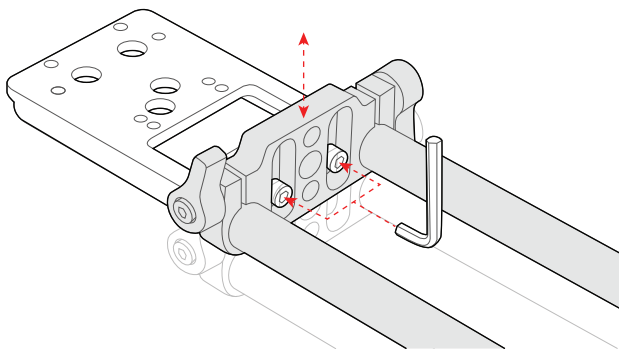


x2 8 1/2" Iris Rods



x8 Screws

2 Once the Zephyr is attached to your camera, adjust it to your personal preference



For more information,
watch our tutorial video
at Zacuto.com

