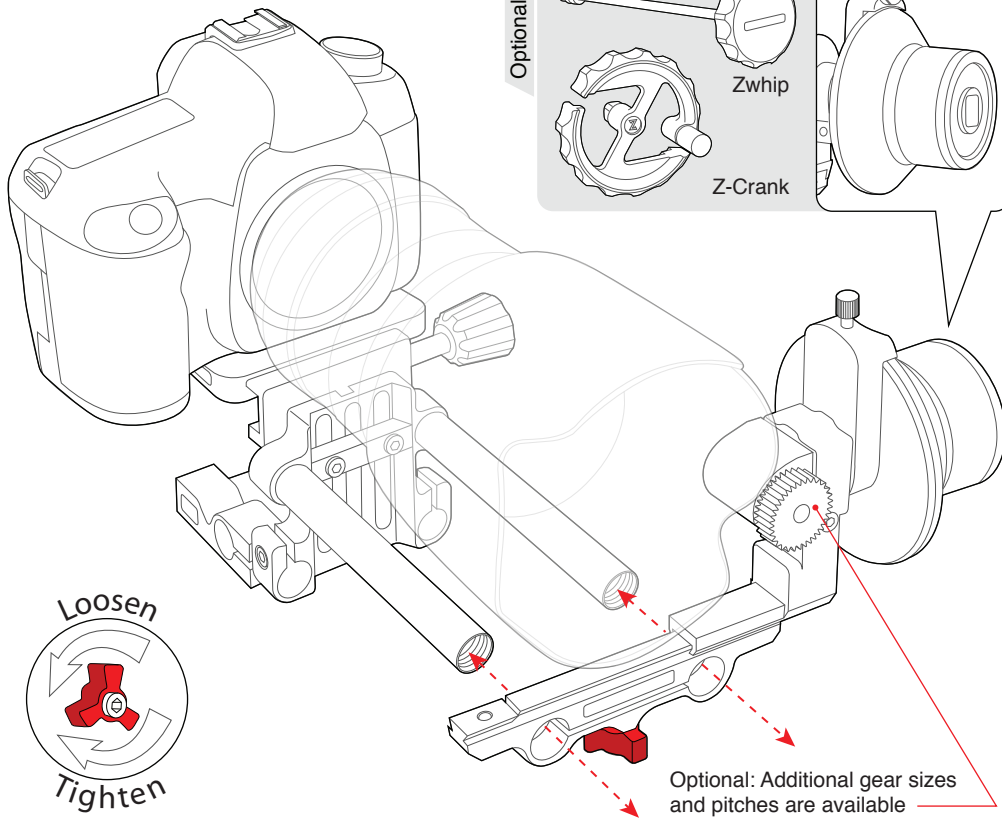


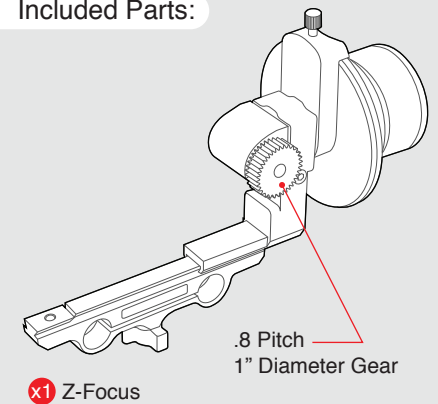


Operating your Flippable Reversible Z-Focus

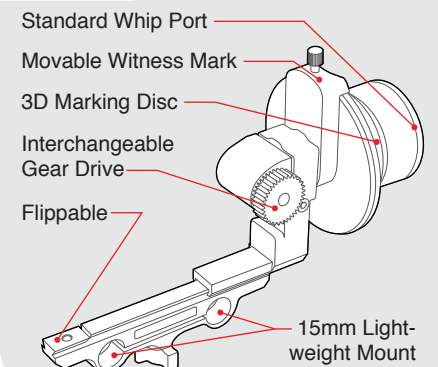
1 Slide Z-Focus onto Iris Rods



Included Parts:

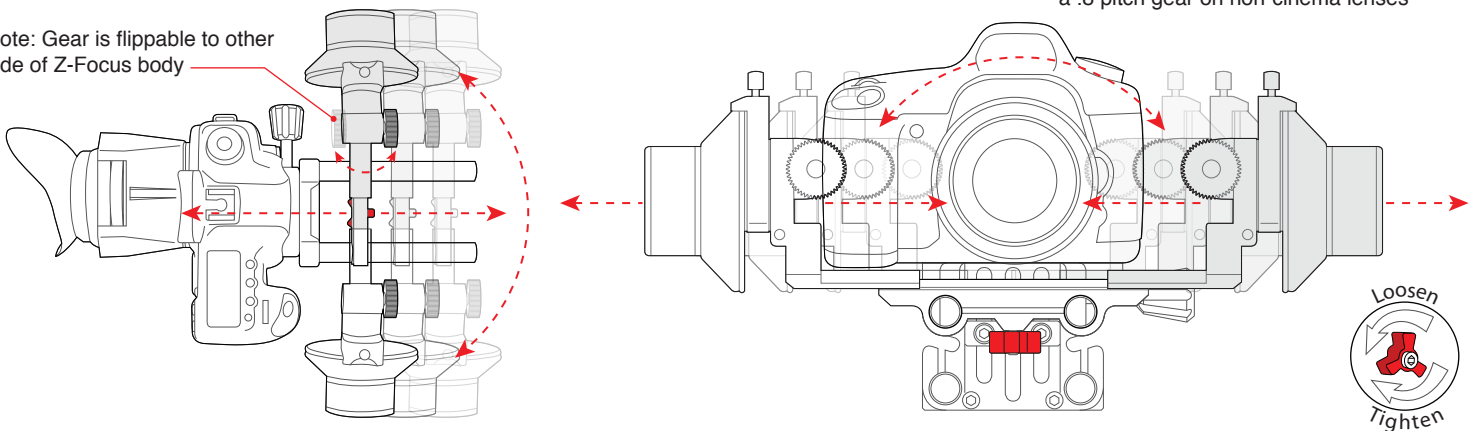


Features:

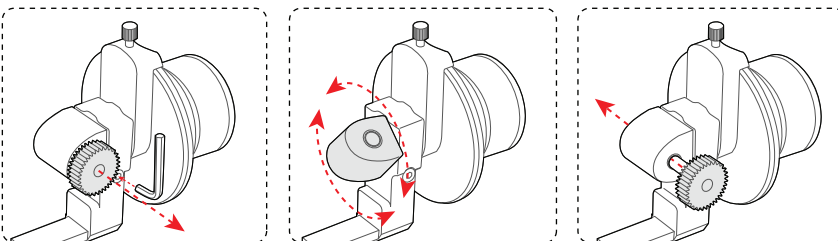


2 Adjust the Z-Focus laterally and horizontally until aligned with the gears on your lens

Note: Gear is flippable to other side of Z-Focus body



3 Flip the drive to reverse the focus direction



4 Loosen knob to rotate witness mark

