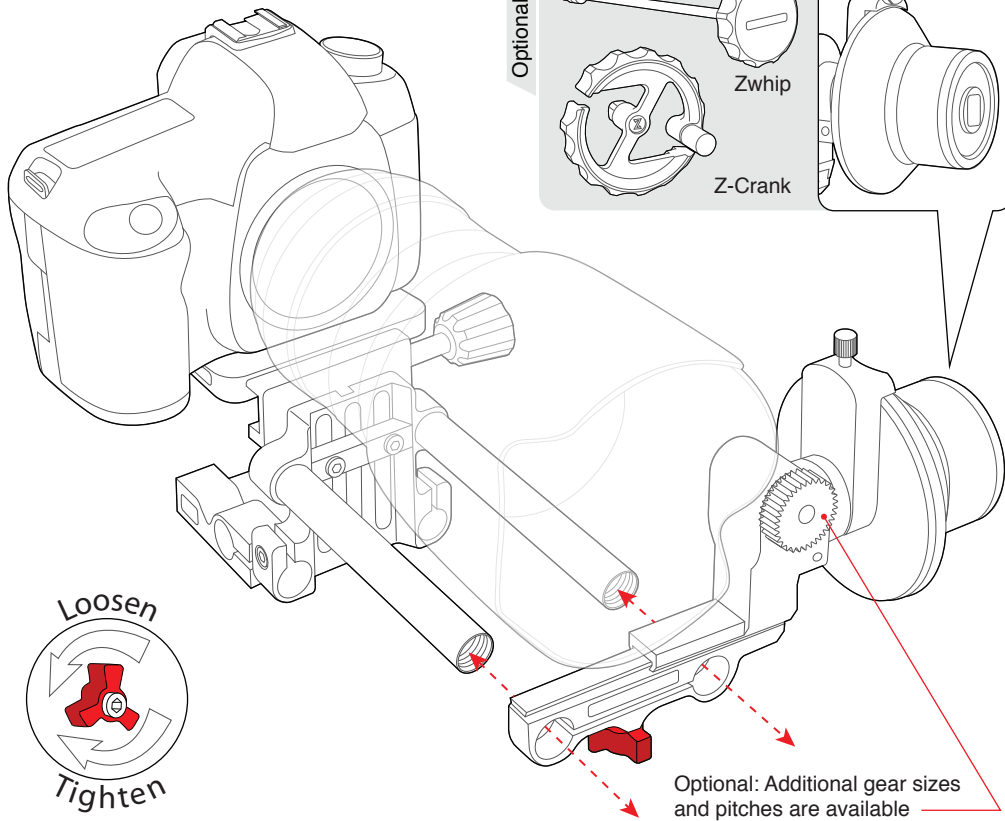


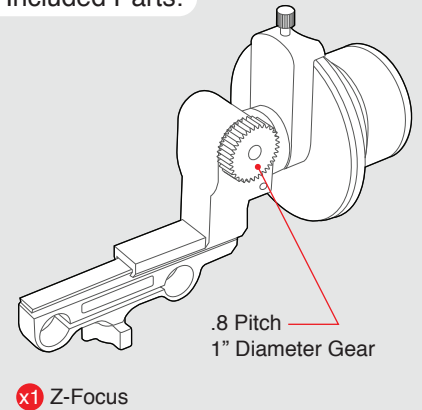


Operating your Z-Focus

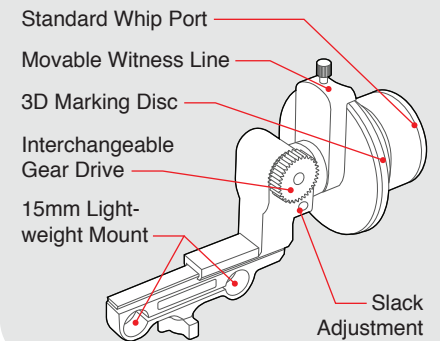
1 Slide Z-Focus onto Iris Rods



Included Parts:

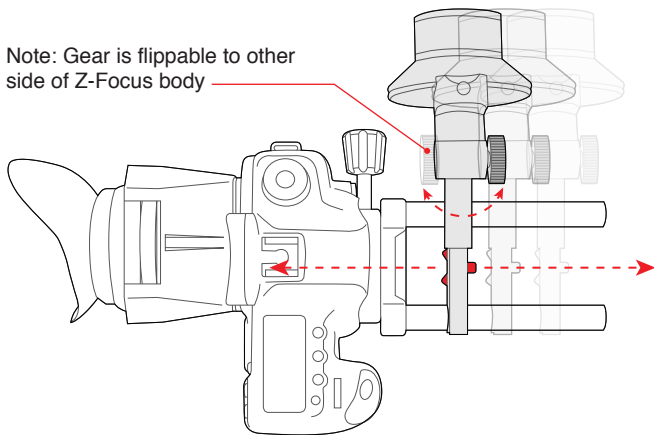


Features:

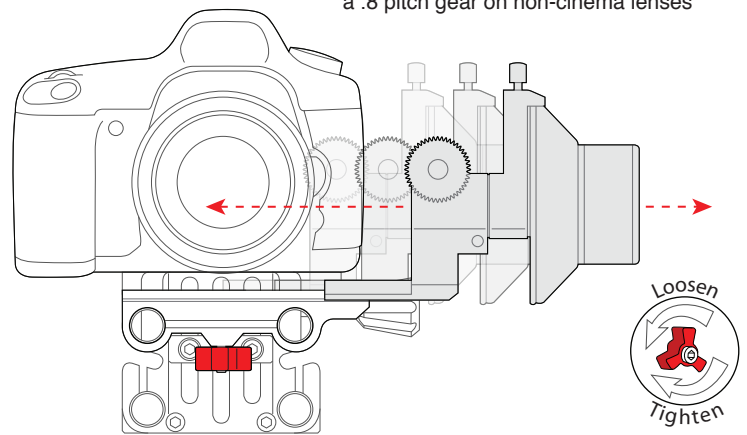


2 Adjust the Z-Focus laterally and horizontally until aligned with the gears on your lens

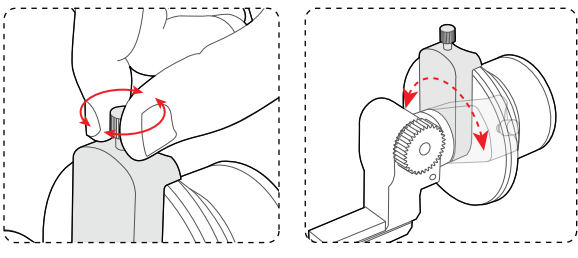
Note: Gear is flippable to other side of Z-Focus body



Note: Refer to ZipGear instructions to install a .8 pitch gear on non-cinema lenses



3 Loosen knob to rotate witness mark



For more information, watch our tutorial video at Zacuto.com

