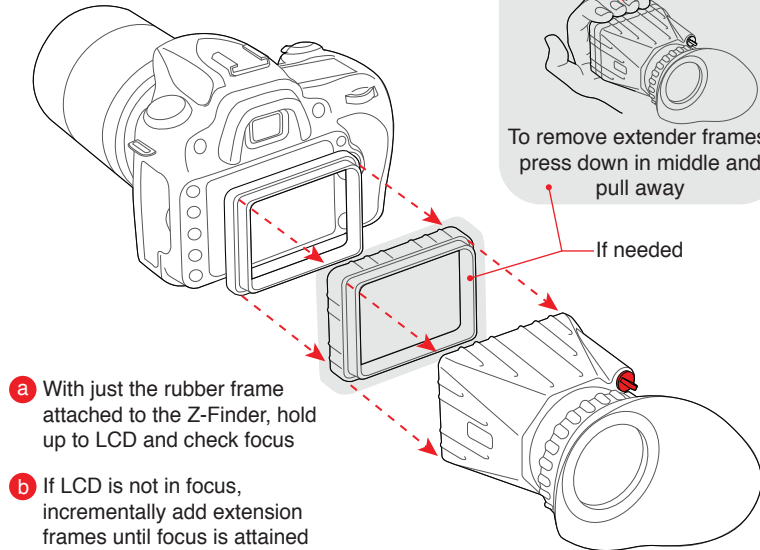


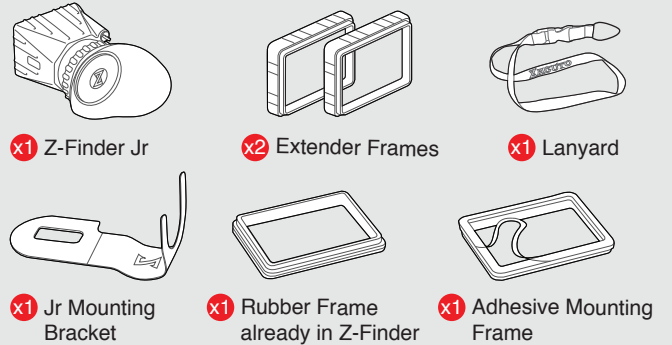


# Operating your Z-Finder Jr

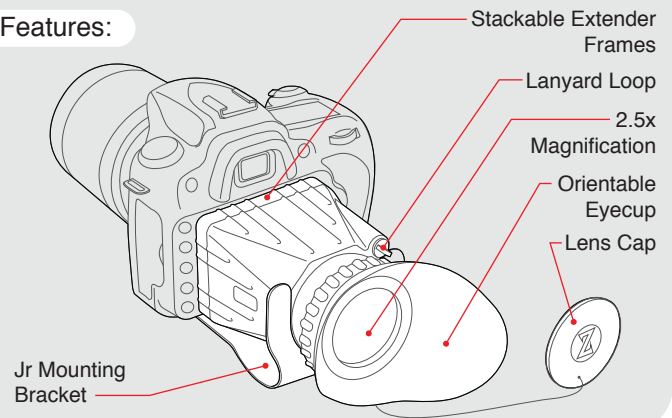
## 1 Find focus in the Z-Finder Jr



## Included Parts:

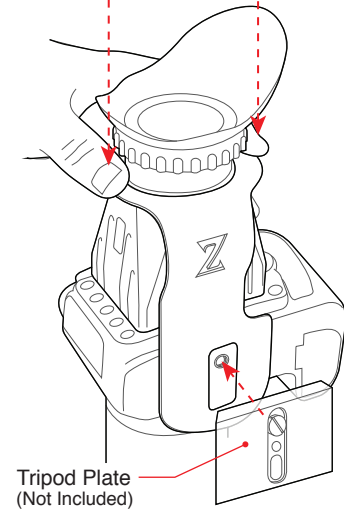


## Features:

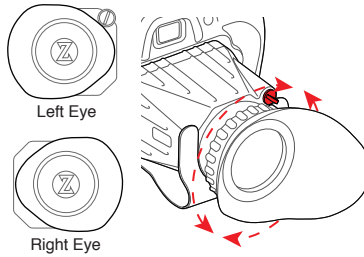


## 2 Attach the Z-Finder Jr to your camera with the Jr Mounting Bracket

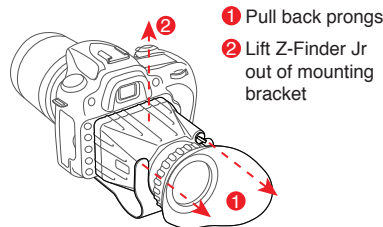
Apply pressure as you tighten screw



## 3 Rotate eyecup for desired eye position

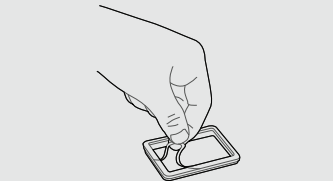


To remove Z-Finder Jr from bracket

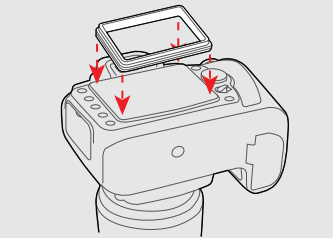


## Optional Mounting Method:

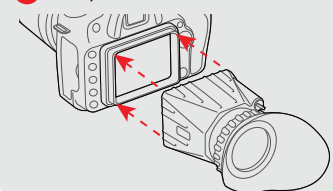
**1** Peel paper film off the back of Adhesive Mounting Frame



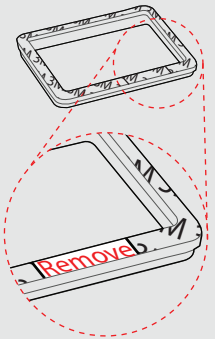
**2** Center on LCD and apply pressure with book or similar for 24 hours until cured



**3** Snap Z-Finder Jr onto frame



If using a Canon T2i you must modify the adhesive backing to protect the proximity sensors



Remove the pre-cut piece of film and rub adhesive off with finger. Remove rest of film and install frame as normal

For more information, watch our tutorial video at [Zacuto.com](http://Zacuto.com)

## ⚠ Precautions

If you need to remove the Adhesive Mounting Frame from the LCD, pinch the top and bottom of the frame until the seal breaks. Use your fingernail to pull up one of the corners but be careful to not pull the LCD screen out of your camera. Place a finger or thumb on the screen while pulling off the mount to prevent this.

