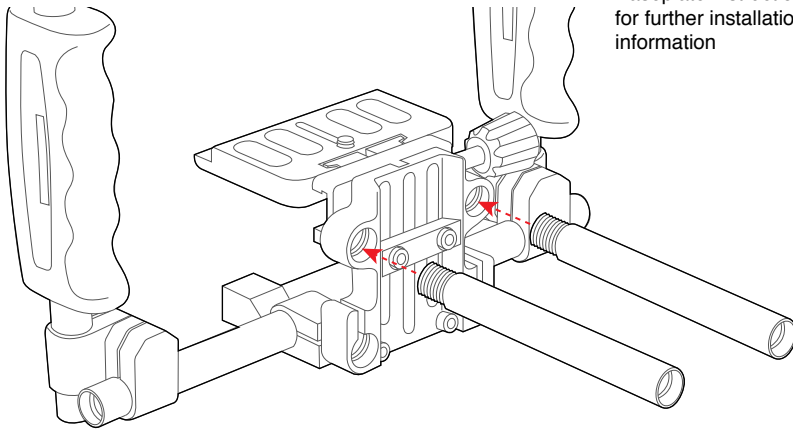




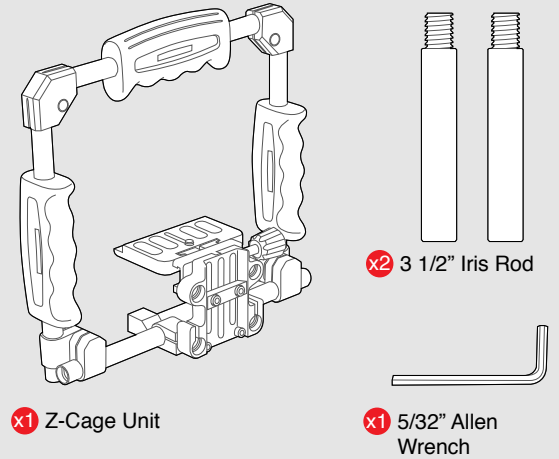
Operating your Z-Cage

1 Install included Iris Rods into the baseplate

* Refer to DSLR Baseplate instructions for further installation information



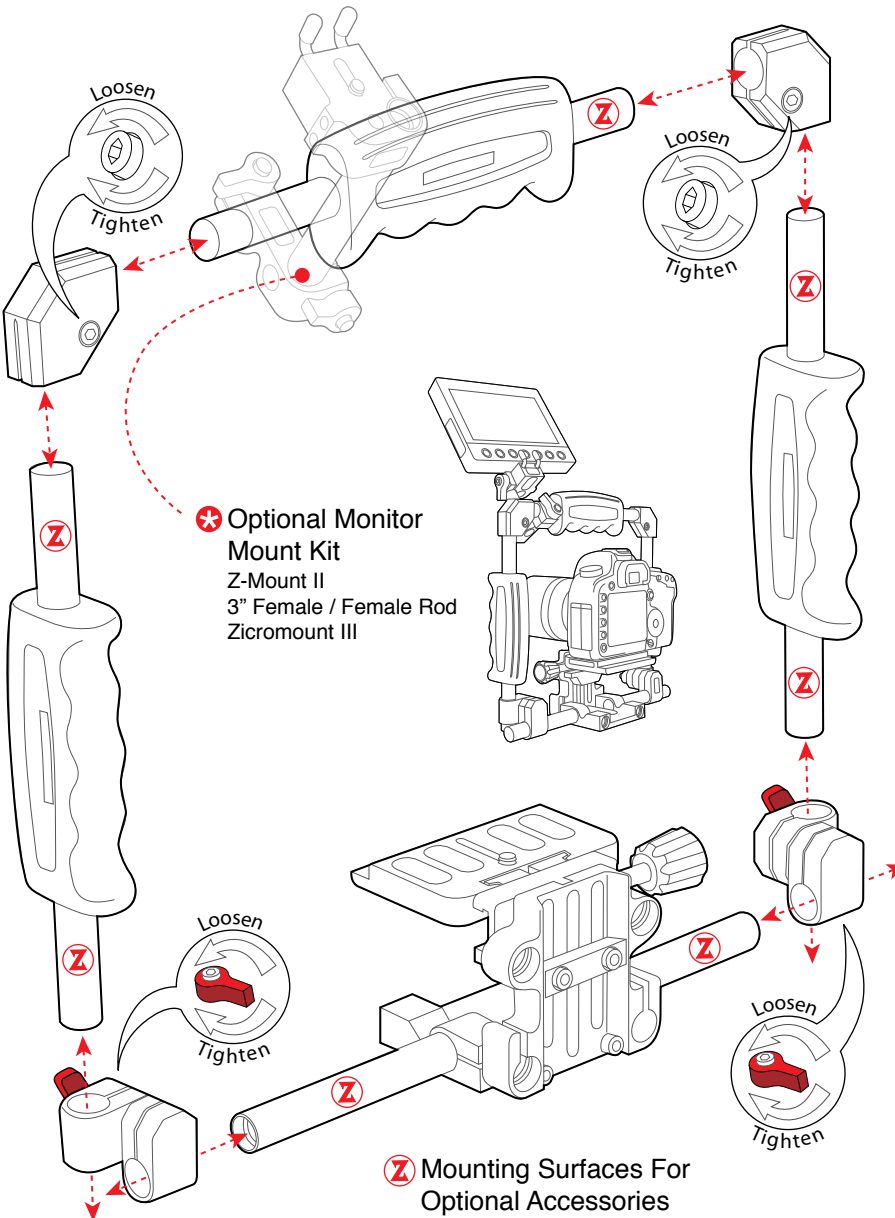
Included Parts:



x1 Z-Cage Unit

x2 3 1/2" Iris Rod

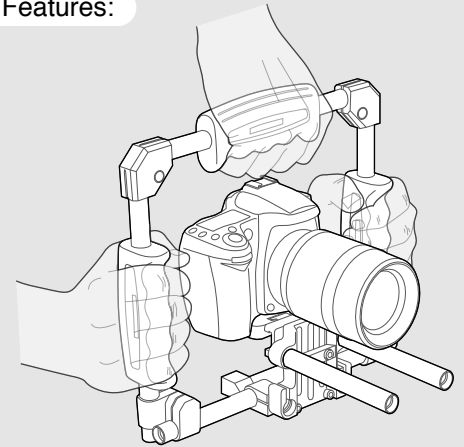
x1 5/32" Allen Wrench



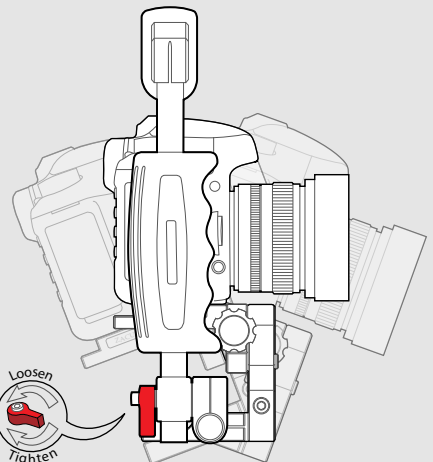
* Optional Monitor Mount Kit
Z-Mount II
3" Female / Female Rod
Zicromount III

Ⓩ Mounting Surfaces For Optional Accessories

Features:



a Multiple points of contact



b Multiple shooting angles

For more information, watch our tutorial video at Zacuto.com

