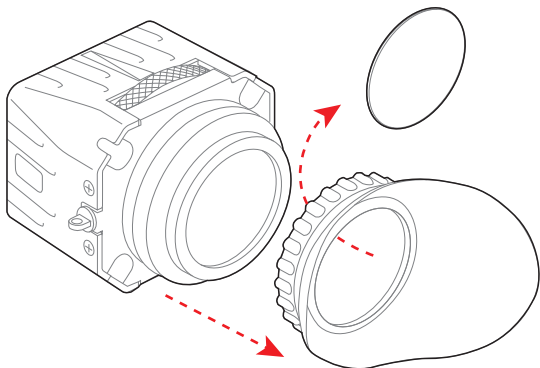


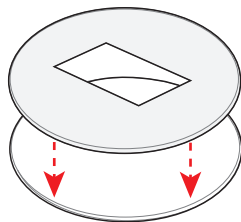


# Installing Your 16x9 Sun Mask

- 1** Pull off eyecup and remove Anti-Fog shield

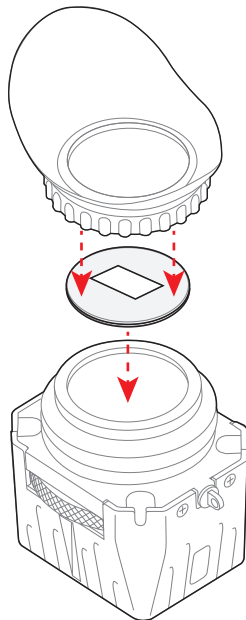


- 2** Place your mask onto the anti-fog shield (Matte side up)



\* The matte side will appear duller

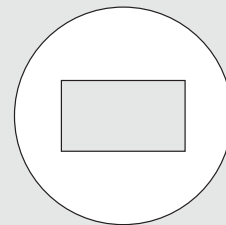
- 3** Place the Anti-Fog shield and mask on the Z-Finder lens and press the Z-Finder Eyecup back over the lens tube



\* Press along the outside to confirm that the eyecup is fully installed

\* You may need to rotate the eyecup slightly so that it is straight

Included Parts:



x1 16x9 Sun Mask

For more information, watch our tutorial video at [Zacuto.com](http://Zacuto.com)

