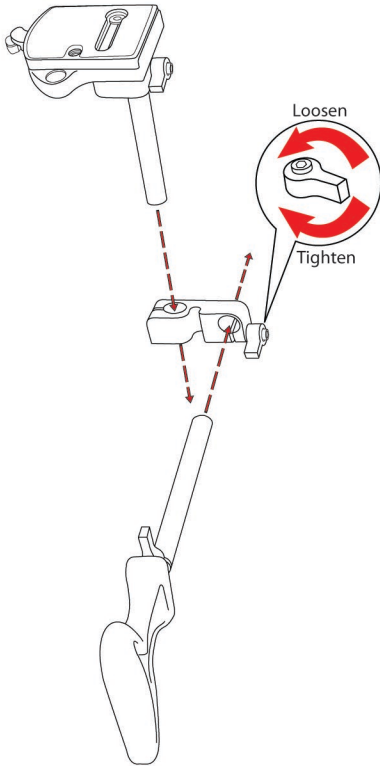


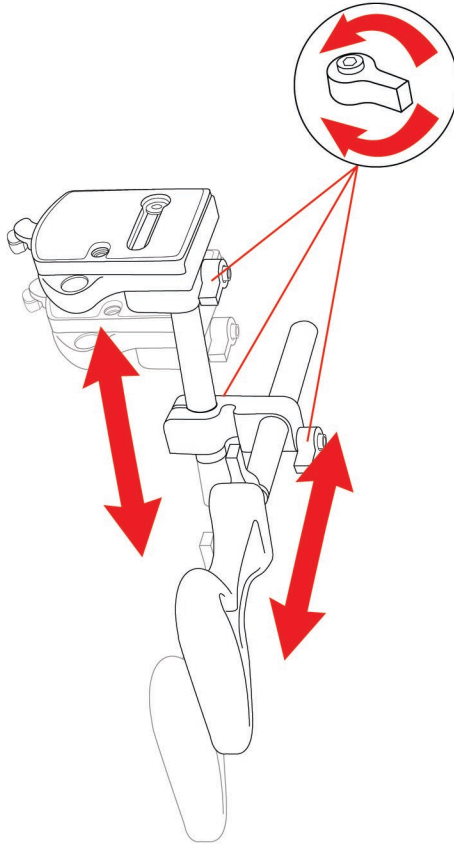


Assembling Your Rapid Fire

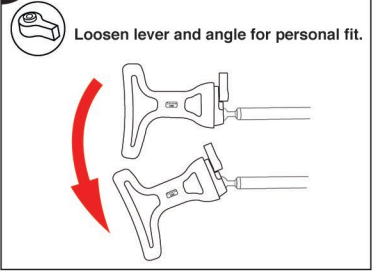
1 Orient and slide together as shown.



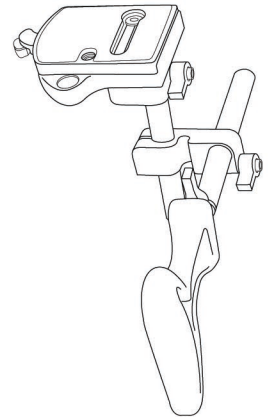
2 Loosen and position for personal fit.



3 Loosen lever and angle for personal fit.



Fully Assembled Kit



For additional instructions,
watch our tutorial video at Zacuto.com.