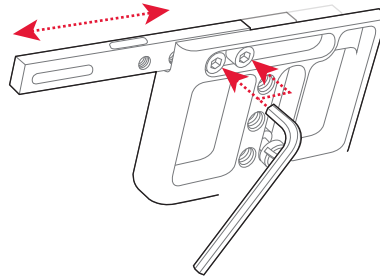
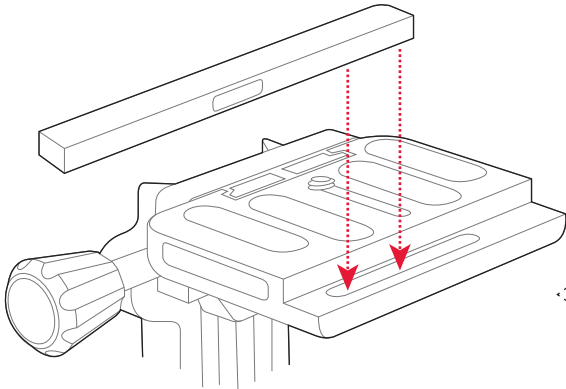




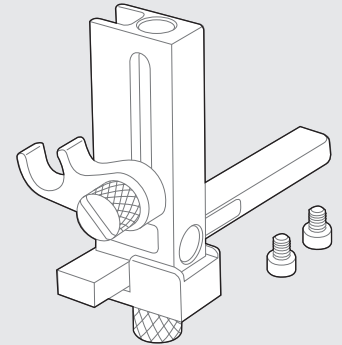
Operating your Pincher

1 Attach the Pincher's arm to your Base Plate



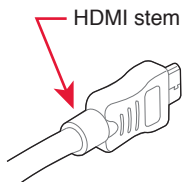
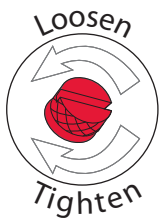
Attach the mounting arm to your Base Plate with the two included allen screws. The arm may be slid along the Base Plate and tightened to give an optimal position.

Included Parts:

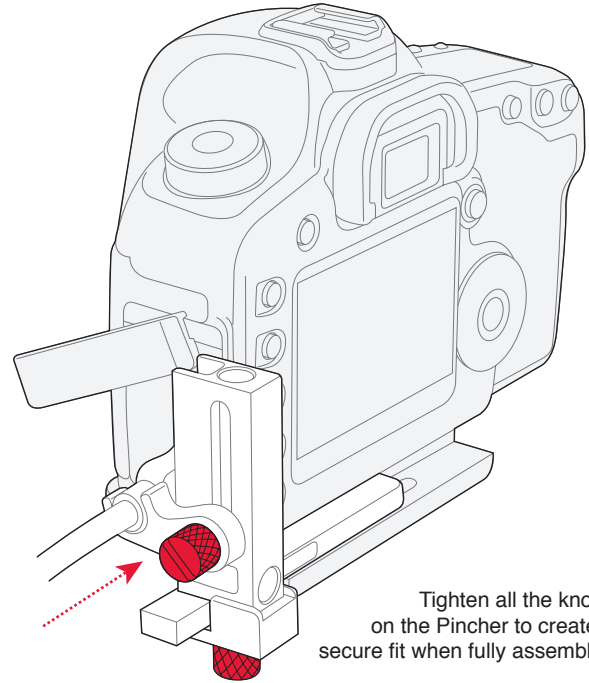


x1 Pincher Assembly

2 Align and affix together the components as shown



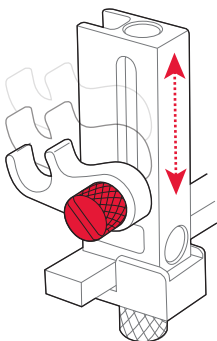
With all parts loose and movable, place the HDMI stem in the Pincher Arm's cradle. Plug in the HDMI cable, moving the Pincher parts with it.



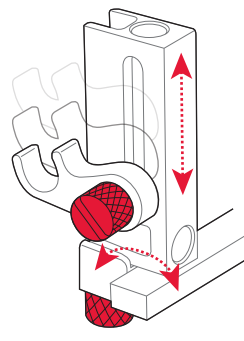
Tighten all the knobs on the Pincher to create a secure fit when fully assembled

* Based on your camera model, you may need to configure the pincher differently

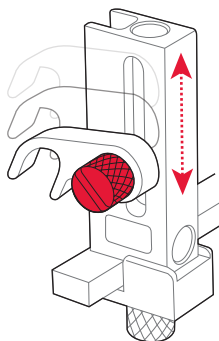
- Canon 1D
- T2i + Grip
- 5D + Grip
- 7D + Grip
- Panasonic GH2
- Nikon D3100
- D7000



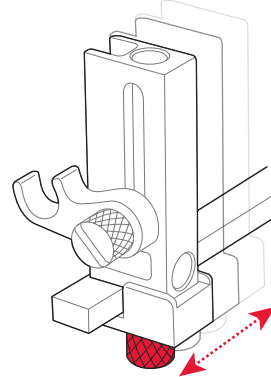
Factory Position



Canon 60D



Nikon D3s



For more information, watch our tutorial video at Zacuto.com

