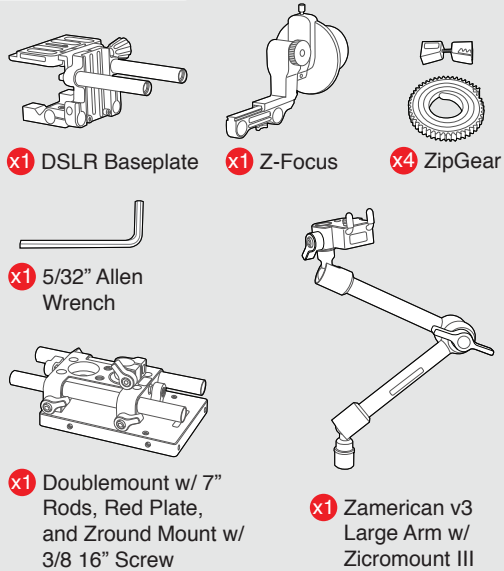


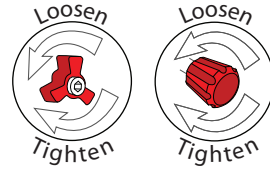


Assembling your Peacemaker

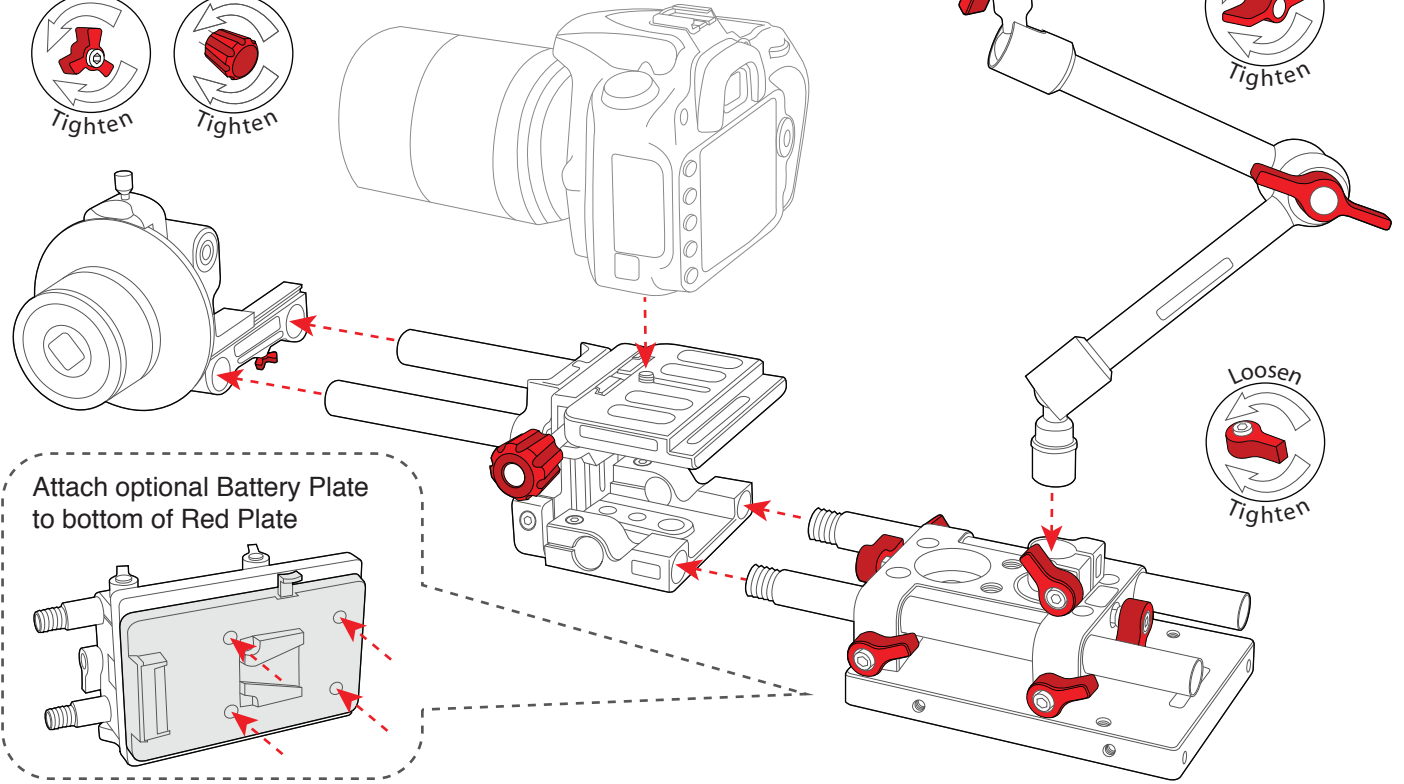
Included Parts:



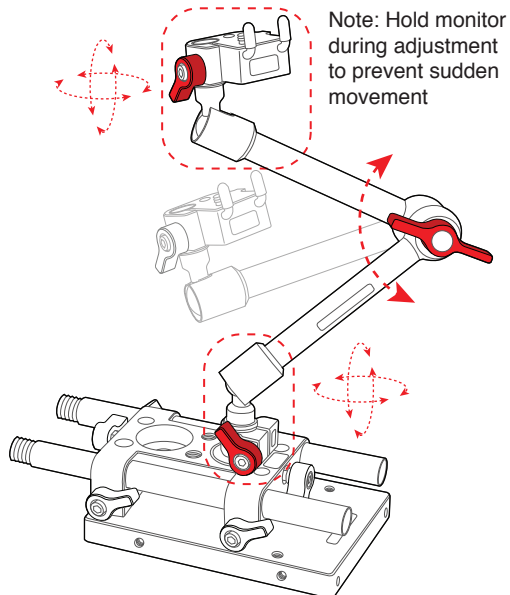
1 Orient and slide together as shown



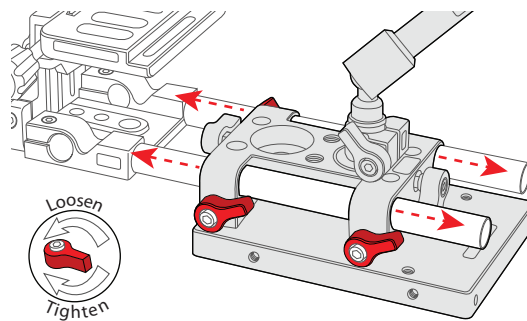
* Refer to Z-Focus, ZipGear, and DSLR Baseplate instructions for further installation information



2 Loosen and adjust to desired position



3 Loosen and slide along rails to adjust



4 Mount to tripod and adjust Red Plate and tripod plate for balance

