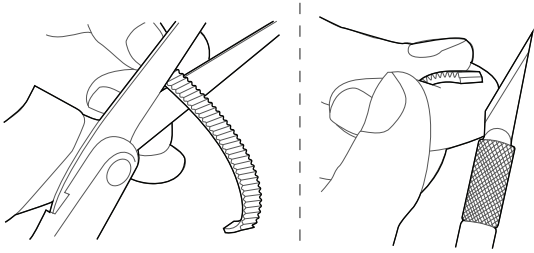


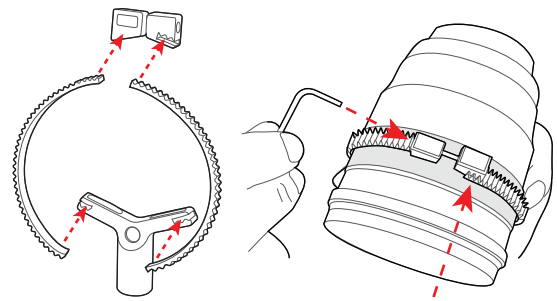


Operating your Lightweight Locking Lens Support

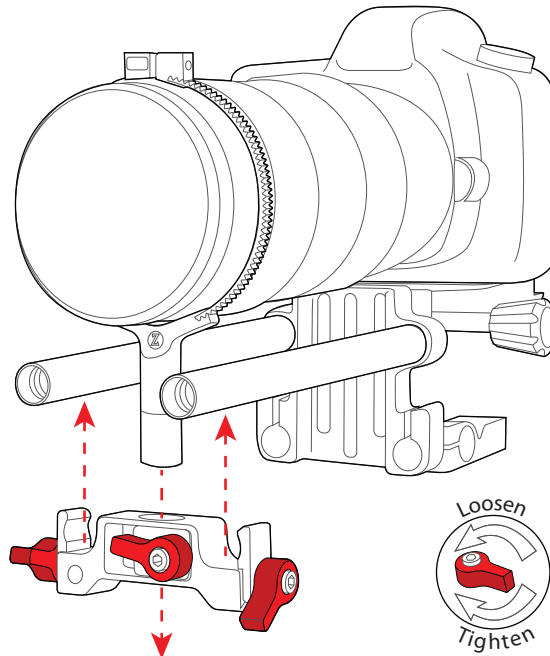
1 Size the ZipGear, cut off extra and trim



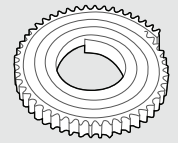
2 Slide ends into ZipGear Housing and Zupport, straighten and tighten on lens



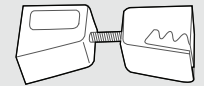
3 Slide Q-Mount onto Zupport from below and tighten knobs to secure lens to iris rods



Included Parts:



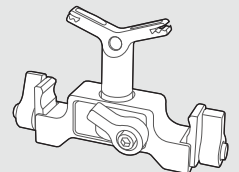
x1 ZipGear



x1 ZipGear Housing



x1 5/64" Allen Wrench

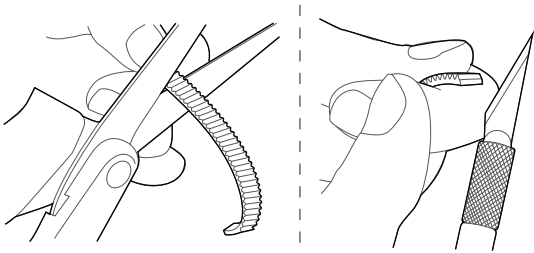


x1 Q-Mount w/ Zupport

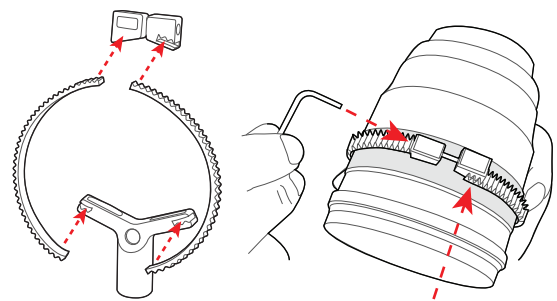


Operating your Lightweight Locking Lens Support

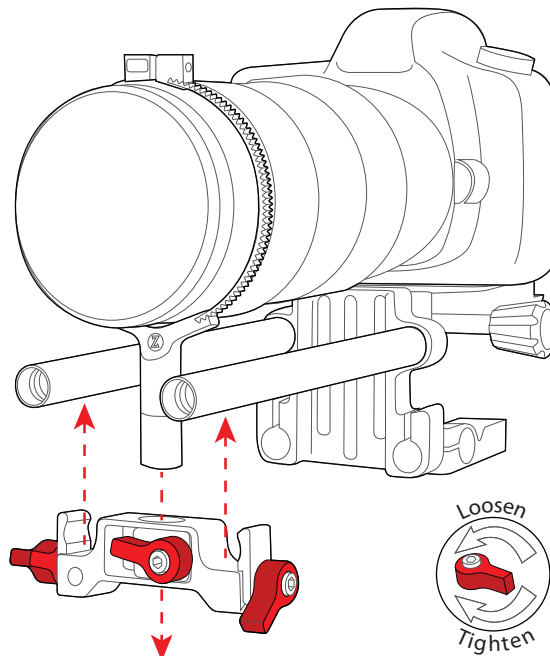
1 Size the ZipGear, cut off extra and trim



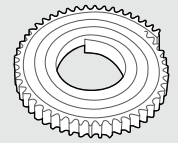
2 Slide ends into ZipGear Housing and Zupport, straighten and tighten on lens



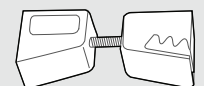
3 Slide Q-Mount onto Zupport from below and tighten knobs to secure lens to iris rods



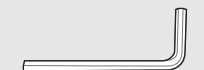
Included Parts:



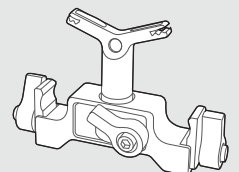
x1 ZipGear



x1 ZipGear Housing



x1 5/64" Allen Wrench



x1 Q-Mount w/ Zupport