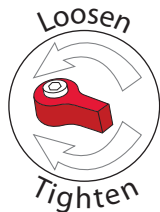
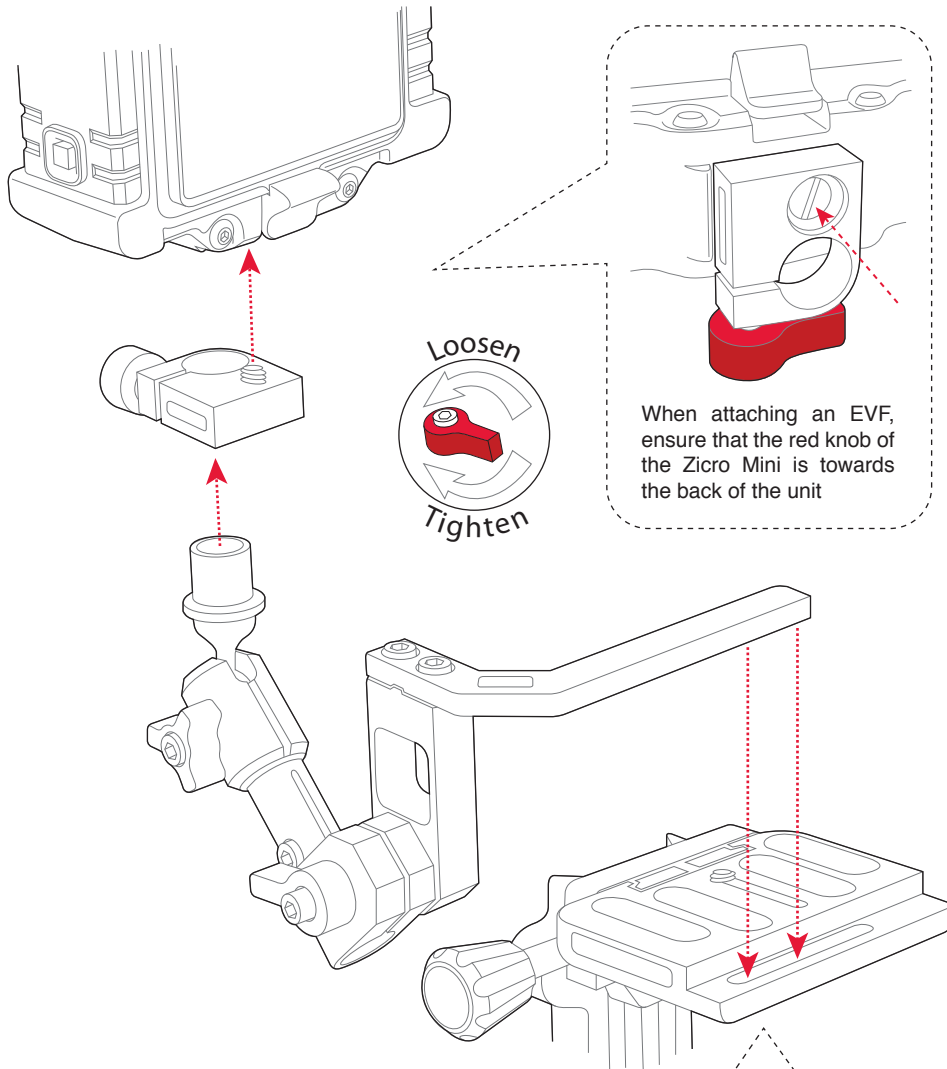




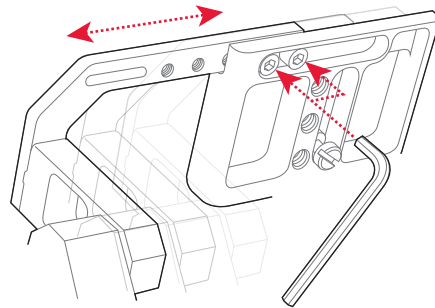
# Assembling your Gorilla Plate Bracket

1 Position and tighten the pieces together as shown

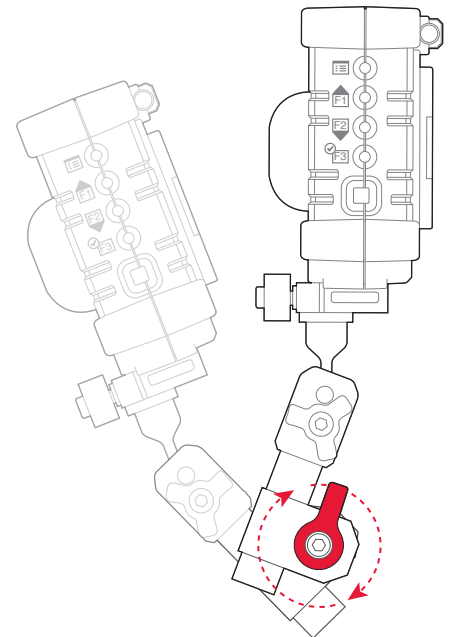


When attaching an EVF, ensure that the red knob of the Zicro Mini is towards the back of the unit

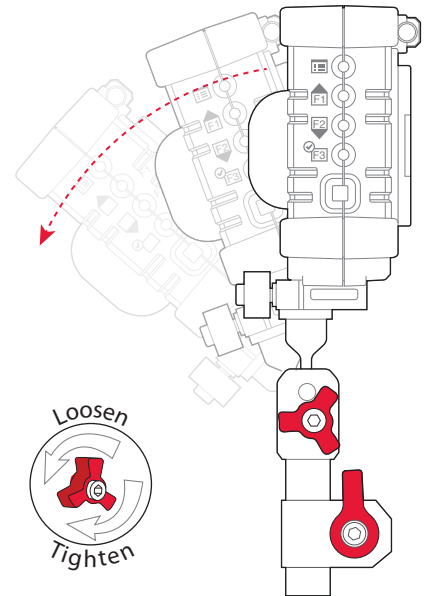
Attach the mounting arm to your Gorilla Plate with the two included allen screws. The arm may be slid along the Gorilla Plate and tightened to give an optimal position.



1 Adjust the arm to fit your needs



The assembly can be rotated to accommodate cords or other access



Tri-knob can be loosened slightly to make a friction fit movable joint

For more information, watch our tutorial video at [Zacuto.com](http://Zacuto.com)

