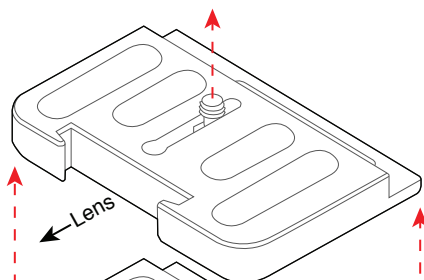
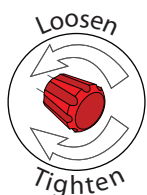


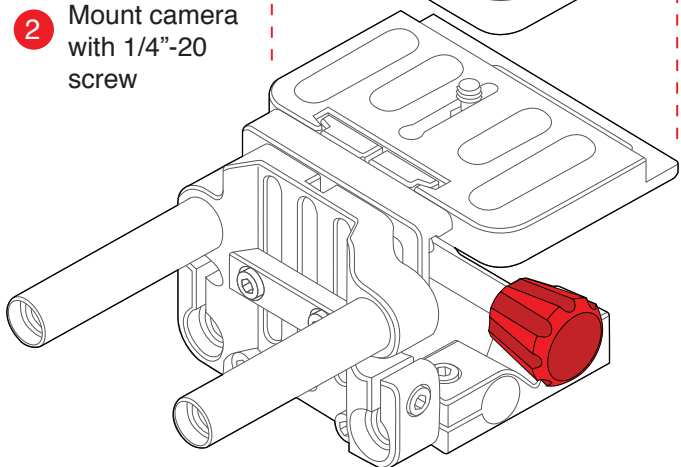


Operating your DSLR Base Plate

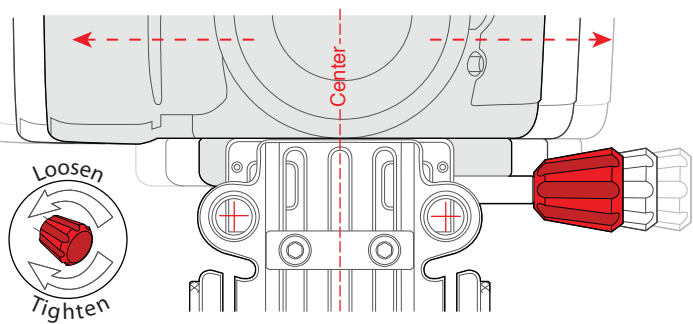
1 Loosen red knob to detach top plate



2 Mount camera with 1/4"-20 screw



3 Center camera lens between iris rods



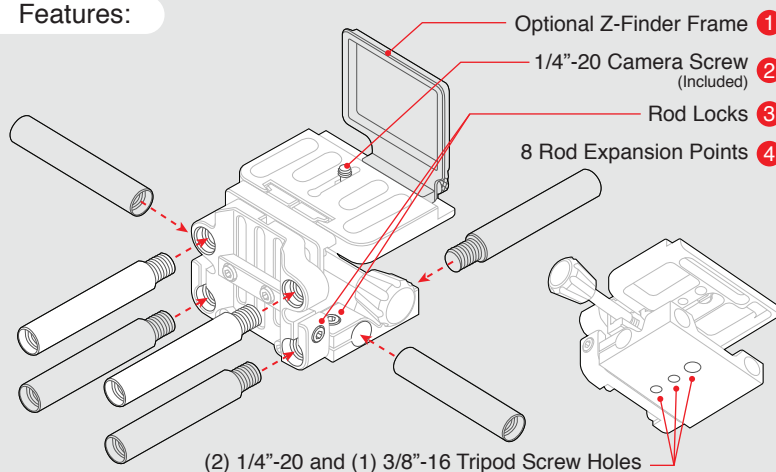
Included Parts:

x1 5/32" Allen Wrench

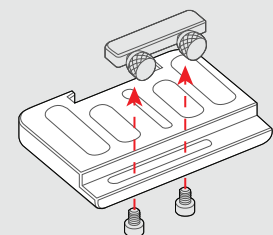
x2 3 1/2" Iris Rod

x1 DSLR Base plate

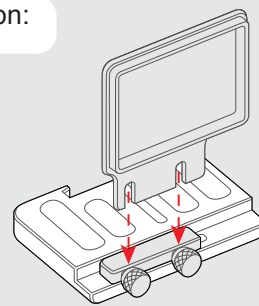
Features:



(Optional) Z-Finder Frame Installation:
Refer to Z-Finder instructions for complete installation

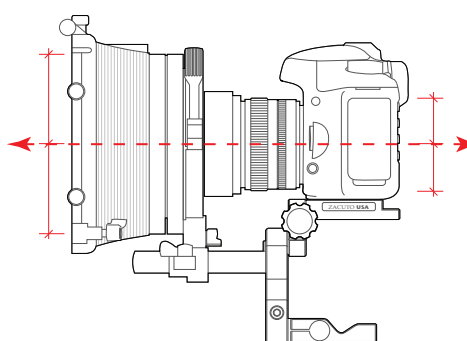
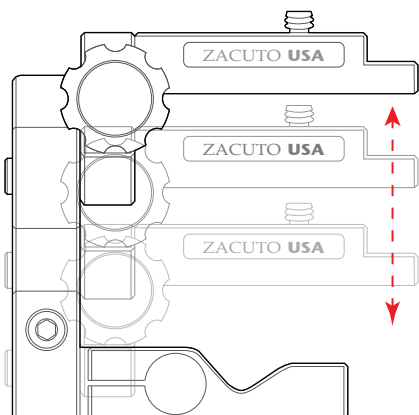
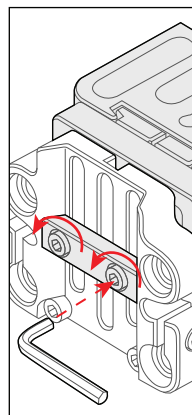


1 Attach slider to base plate



2 Attach frame to slider

4 Adjust the height of the plate for different camera body sizes



If using optional matte box, use it to center the height of the lens

For more information, watch our tutorial video at Zacuto.com.

