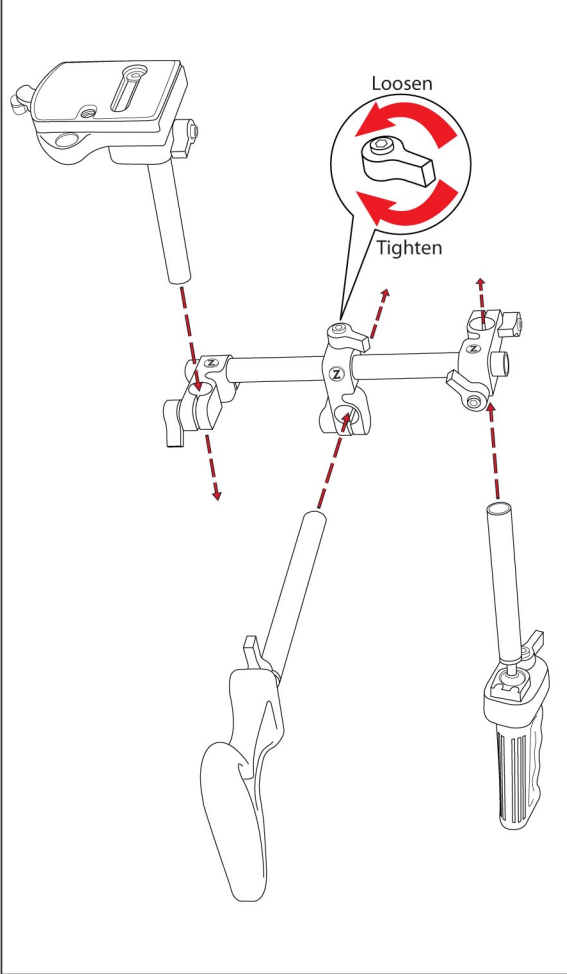


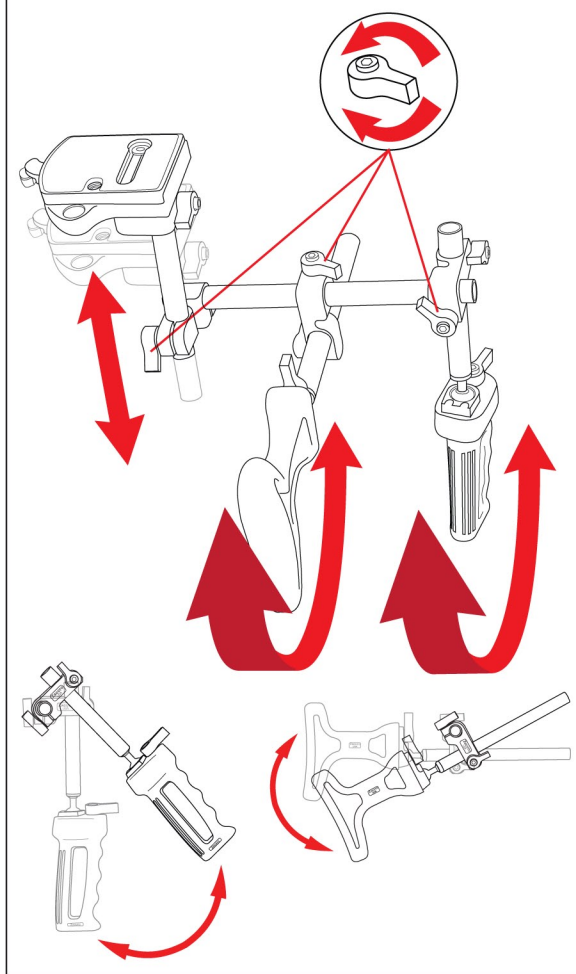


Assembling Your Tactical Shooter

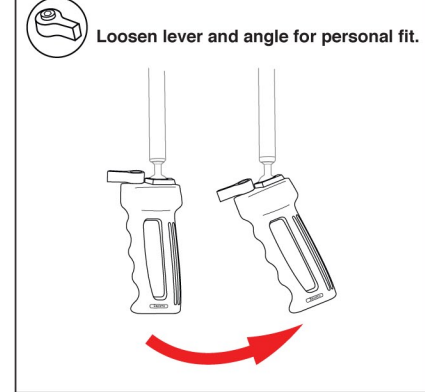
1 Orient and slide together as shown.



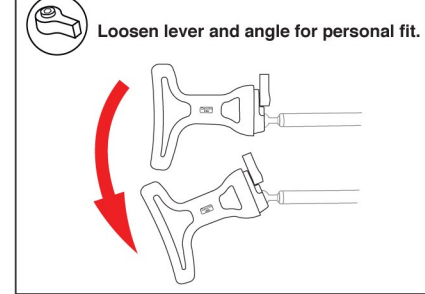
2 Loosen and rotate for personal fit.



3 Loosen lever and angle for personal fit.



4 Loosen lever and angle for personal fit.



For additional instructions, watch our tutorial video at Zacuto.com.

Fully Assembled Kit

